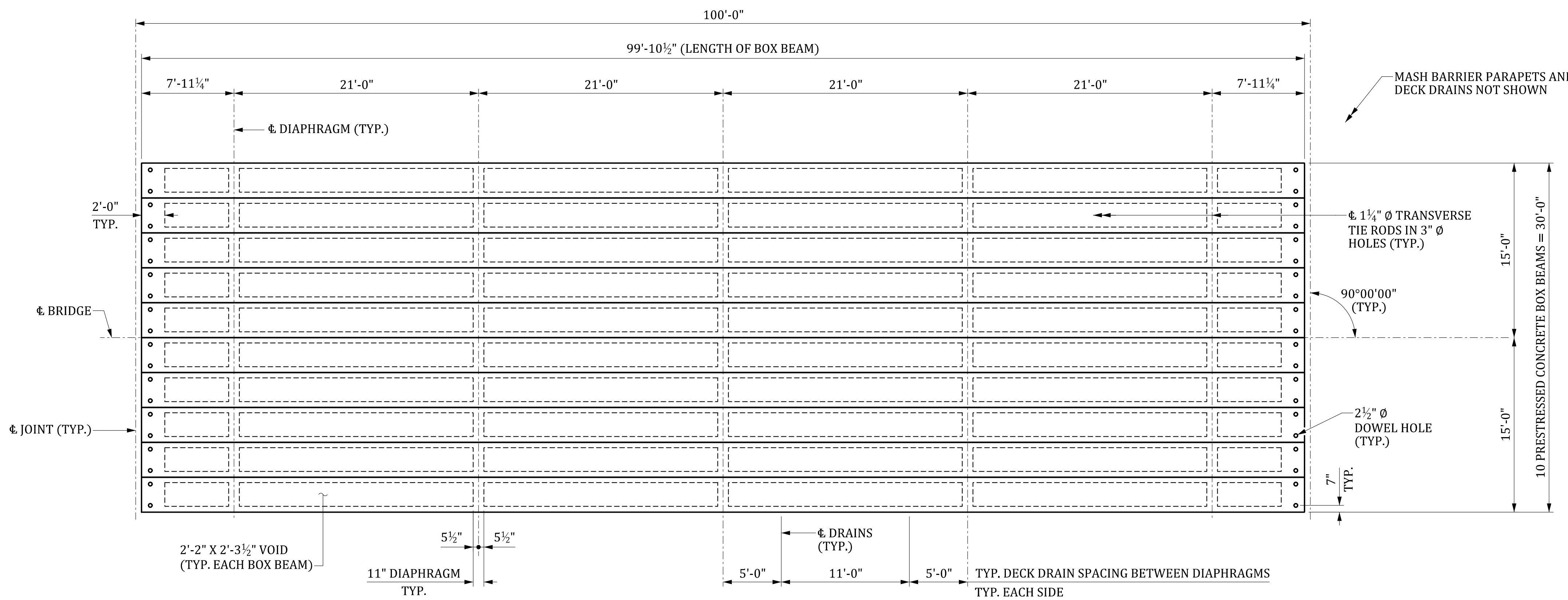




DEAD LOAD DEFLECTION & CAMBER		
CAMBER AT ERECTION (BEAM ALONE IN PLACE)		↑ 2½"
DEFLECTION DUE TO BARRIER PARAPETS AND ASPHALT WEARING SURFACE		↓ X"
FINAL CAMBER		↑ X"



PLAN

BILL OF MATERIAL ONE 100' BOX BEAM							
MARK	NO. REQ'D	DIMENSION					LENGTH
		"a"	"b"	"c"	"d"	"e"	
A0401	10	2'-7"	---	---	---	---	2'-7"
A0501	12	50'-10"	---	---	---	---	50'-10"
J0401	68	2'-8"	2'-11"	---	---	---	8'-6"
J0402	68	2'-8"	1'-6"	---	---	---	5'-8"
J0403	135	2'-8"	1'-1"	---	---	---	4'-10"
J0404	44	2'-7"	1'-6"	---	---	---	5'-7"
J0501	36	2'-8½"	2'-4"	---	---	---	7'-5"
J0502	12	1'-10"	2'-3"	---	---	---	6'-4"
JD0401	62	1'-6"	6"	1'-2"	3"	4"	5'-10"
K0401	15	4½"	2'-10"	9"	---	---	7'-2"
LB0501	① 116	5½"	---	---	---	---	7'-4"
N0501	10	10"	2'-10"	3'-6"	---	---	7'-2"

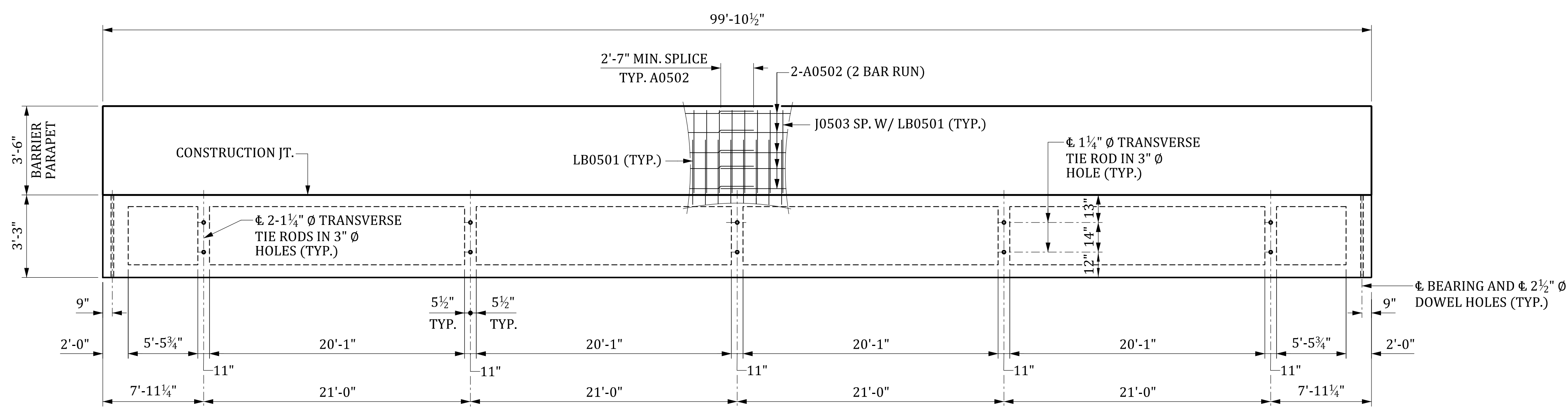
QUANTITIES			
ITEM	UNIT	INTERIOR	EXTERIOR
REINFORCING STEEL	LB	2643	3530
CONCRETE, f'c 7,500	CY	19.3	19.4
0.6 ϕ L.R. STRANDS	LF	2997	2997

① LB0501 BARS REQUIRED FOR EXTERIOR BEAMS ONLY.

BILL OF MATERIAL ONE 100' BARRIER PARAPET						
MARK	NO. REQ'D	DIMENSION				LENGTH
		"a"	"b"	"c"	"d"	
A0502	20	51'-1"	---	---	---	51'-1"
A0503	16	5'-0"	---	---	---	5'-0"
J0503	116	5½"	3'-3"	---	---	7'-0"

QUANTITIES		
ITEM	UNIT	TOTAL
2.0" SCHEDULE 80 PVC CONDUIT	LF	200.0
REINFORCING STEEL	LB	1996
MASH CONCETE BARRIER PARAPET	LF	100.0

ESTIMATED QUANTITIES - ONE 100' SPAN		
ITEM	UNIT	TOTAL
2.0" SCHEDULE 80 PVC CONDUIT	LF	400.0
REINFORCING STEEL FOR STRUCTURES (BRIDGE)	LB	3992
3'-0" X 3'-3" BOX BEAMS	LF	998.8
MASH CONCRETE BARRIER PARAPET	LF	200.0
ELASTOMERIC BEARING	EA	20
BRIDGE DECK WATERPROOFING	SY	309.3



ELEVATION

DECK DRAINS AND TIE ROD POCKETS NOT SHOWN.  
 FOR BOX BEAM REINFORCING STEEL LAYOUT, SEE PRESTRESSED CONCRETE BOX BEAM 80' SPAN - DETAILS SHEETS.

THIS DRAWING IS FURNISHED FOR INFORMATION ONLY. ALL DIMENSIONS SHOWN ARE SHEET SPECIFIC. ANY USE OF THIS DESIGN AND DRAWING, INCLUDING DIMENSIONS, MUST BE CHECKED BY THE USER'S ENGINEER TO ENSURE DESIGN IS ADEQUATE FOR THE INTENDED USE. ALL DRAWINGS MUST BE SIGNED AND SEALED BY A SOUTH CAROLINA REGISTERED PROFESSIONAL ENGINEER WHEN USED.

CONSULTANT NAME/LOGO

SOUTH CAROLINA DEPARTMENT OF TRANSPORTATION

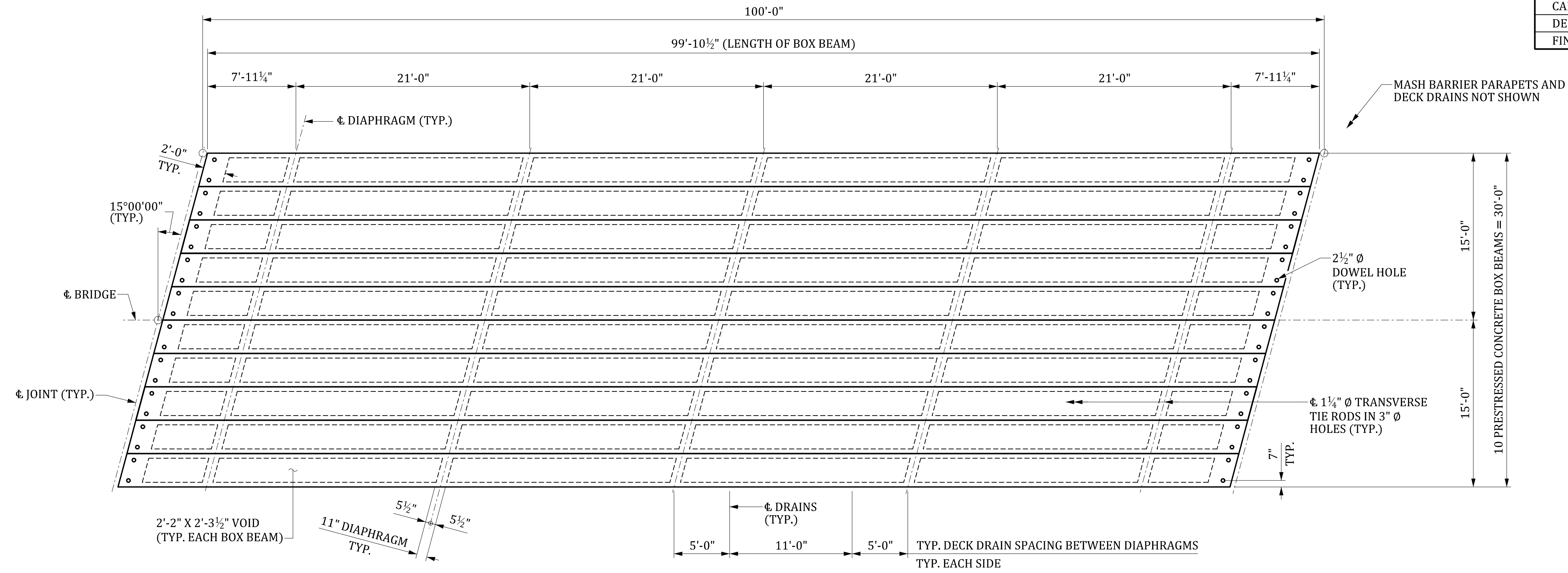
**PRESTRESSED CONCRETE BOX BEAM**  
 100' SPAN  
 27'-10" ROADWAY (0° SKEW)

COUNTY: ##### ROUTE: #####

REVIEWED	QUAN.	DR.	DES.	GCM	OP	BY	CHK.	DATE	DESCRIPTION OF REVISION

CMorris 6/25/2024 4:20:47 PM 704-ABB\_100.dgn

DEAD LOAD DEFLECTION & CAMBER		
CAMBER AT ERECTION (BEAM ALONE IN PLACE)		↑ 2½"
DEFLECTION DUE TO BARRIER PARAPETS AND ASPHALT WEARING SURFACE		↓ X"
FINAL CAMBER		↑ X"



PLAN

BILL OF MATERIAL ONE 100' BOX BEAM							
MARK	NO. REQ'D	DIMENSION					LENGTH
		"a"	"b"	"c"	"d"	"e"	
A0401	10	2'-8"					2'-8"
A0501	12	50'-10"					50'-10"
J0401	67	2'-8"	2'-11"				8'-6"
J0402	67	2'-8"	1'-6"				5'-8"
J0403	123	2'-8"	1'-1"				4'-10"
J0404	8	2'-9½"	1'-1"				5'-0"
J0405	6	2'-9"	1'-1"				4'-11"
J0501	28	2'-9½"	2'-4"				7'-6"
J0502	12	1'-11"	2'-3"				6'-5"
J0503	12	2'-9"	2'-4"				7'-5"
J0504	4	2'-8½"	2'-4"				7'-5"
JC0401	44	2'-8"	1'-6"	8⅝"			5'-8"
JD0401	61	1'-6"	6"	1'-2"	3"	4"	5'-10"
K0401	15	4½"	2'-10"	9"			7'-2"
LB0501	① 110	5½"					7'-4"
LB0502	① 6	5¾"					7'-5"
N0501	10	10"	2'-10"	3'-6"			7'-2"

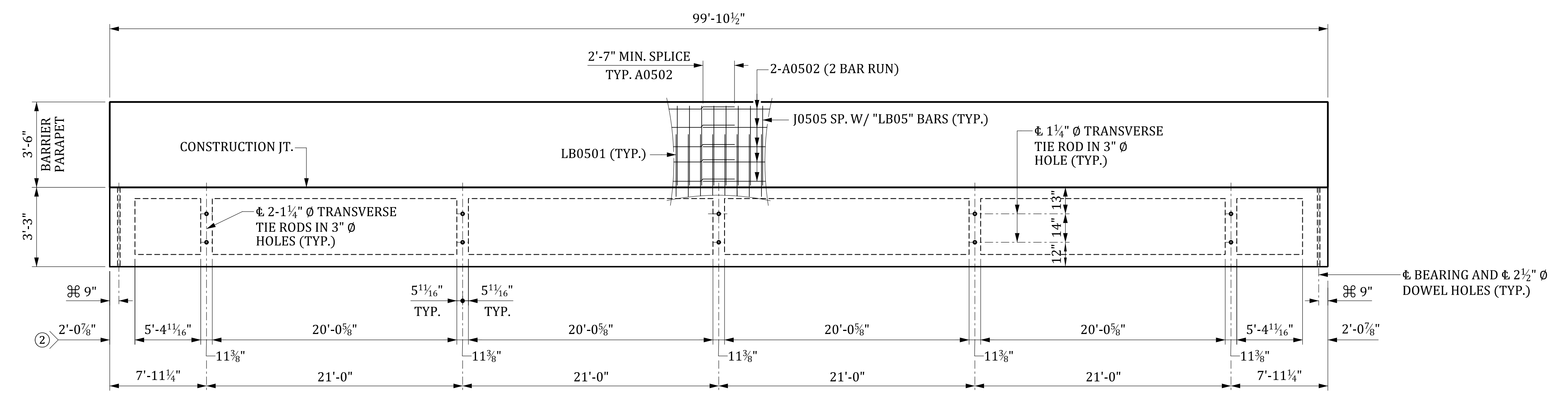
QUANTITIES			
ITEM	UNIT	INTERIOR	EXTERIOR
REINFORCING STEEL	LB	2706	3593
CONCRETE, f'c 7,500	CY	19.4	19.5
0.6 Ø L.R. STRANDS	LF	2997	2997

① "LB05" BARS REQUIRED FOR EXTERIOR BEAMS ONLY.

BILL OF MATERIAL ONE 100' BARRIER PARAPET							
MARK	NO. REQ'D	DIMENSION					LENGTH
		"a"	"b"	"c"	"d"	"e"	
A0502	20	51'-1"					51'-1"
A0503	16	5'-0"					5'-0"
J0505	116	5½"	3'-3"				7'-0"

QUANTITIES			
ITEM	UNIT	TOTAL	
2.0" SCHEDULE 80 PVC CONDUIT	LF	200.0	
REINFORCING STEEL	LB	1996	
MASH CONCETE BARRIER PARAPET	LF	100.0	

ESTIMATED QUANTITIES - ONE 100' SPAN		
ITEM	UNIT	TOTAL
2.0" SCHEDULE 80 PVC CONDUIT	LF	400.0
REINFORCING STEEL FOR STRUCTURES (BRIDGE)	LB	3992
3'-0" X 3'-3" BOX BEAMS	LF	998.8
MASH CONCRETE BARRIER PARAPET	LF	200.0
ELASTOMERIC BEARING	EA	20
BRIDGE DECK WATERPROOFING	SY	309.3



ELEVATION

DECK DRAINS AND TIE ROD POCKETS NOT SHOWN.  
 FOR BOX BEAM REINFORCING STEEL LAYOUT, SEE PRESTRESSED CONCRETE BOX BEAM 80' SPAN - DETAILS SHEETS.

THIS DRAWING IS FURNISHED FOR INFORMATION ONLY. ALL DIMENSIONS SHOWN ARE SHEET SPECIFIC. ANY USE OF THIS DESIGN AND DRAWING, INCLUDING DIMENSIONS, MUST BE CHECKED BY THE USER'S ENGINEER TO ENSURE DESIGN IS ADEQUATE FOR THE INTENDED USE. ALL DRAWINGS MUST BE SIGNED AND SEALED BY A SOUTH CAROLINA REGISTERED PROFESSIONAL ENGINEER WHEN USED.

CONSULTANT NAME/LOGO

SOUTH CAROLINA  
 DEPARTMENT OF TRANSPORTATION

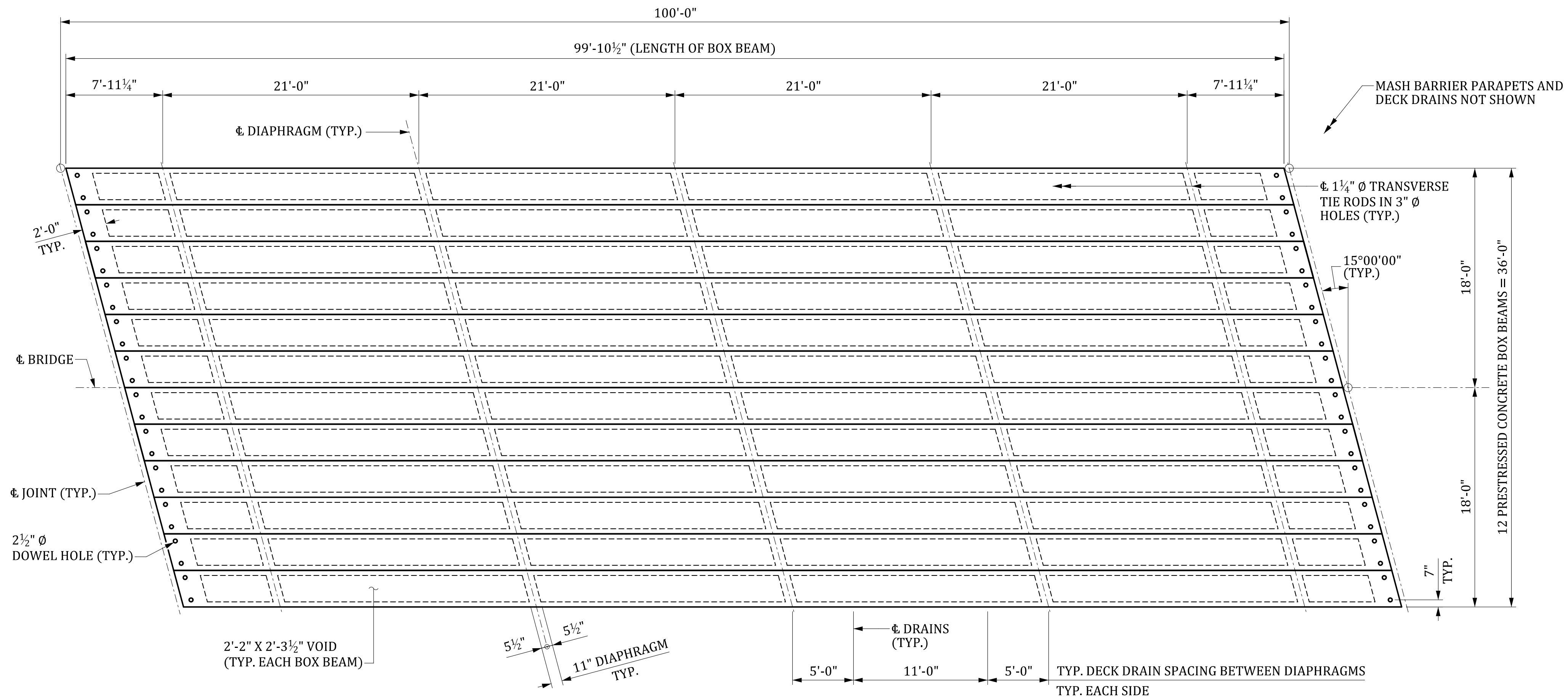
**PRESTRESSED CONCRETE BOX BEAM**  
**100' SPAN**  
**27'-10" ROADWAY (+15° SKEW)**

COUNTY: ##### ROUTE: #####

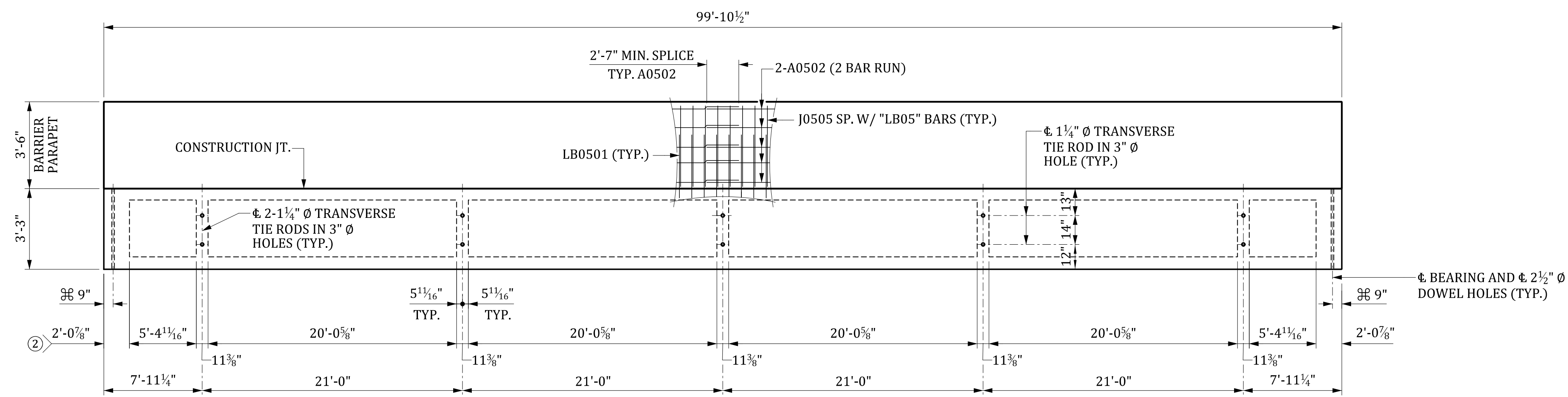
REVIEWED	QUAN.	DR.	DES.	BY	CHK.	DATE	DESCRIPTION OF REVISION

G:\Morris 6/25/2024 4:20:44 PM 704-ABB\_100.dgn

DEAD LOAD DEFLECTION & CAMBER	
CAMBER AT ERECTION (BEAM ALONE IN PLACE)	↑ 2½"
DEFLECTION DUE TO BARRIER PARAPETS AND ASPHALT WEARING SURFACE	↓ X"
FINAL CAMBER	↑ X"



PLAN



ELEVATION

DECK DRAINS AND TIE ROD POCKETS NOT SHOWN.  
 FOR BOX BEAM REINFORCING STEEL LAYOUT, SEE PRESTRESSED CONCRETE BOX BEAM 80' SPAN - DETAILS SHEETS.

BILL OF MATERIAL ONE 100' BOX BEAM							
MARK	NO. REQ'D	DIMENSION					LENGTH
		"a"	"b"	"c"	"d"	"e"	
A0401	10	2'-8"					2'-8"
A0501	12	50'-10"					50'-10"
J0401	67	2'-8"	2'-11"				8'-6"
J0402	67	2'-8"	1'-6"				5'-8"
J0403	123	2'-8"	1'-1"				4'-10"
J0404	8	2'-9½"	1'-1"				5'-0"
J0405	6	2'-9"	1'-1"				4'-11"
J0501	28	2'-9½"	2'-4"				7'-6"
J0502	12	1'-11"	2'-3"				6'-5"
J0503	12	2'-9"	2'-4"				7'-5"
J0504	4	2'-8½"	2'-4"				7'-5"
JC0401	44	2'-8"	1'-6"	8½/16"			5'-8"
JD0401	61	1'-6"	6"	1'-2"	3"	4"	5'-10"
K0401	15	4½"	2'-10"	9"			7'-2"
LB0501	① 110	5½"					7'-4"
LB0502	① 6	5¾"					7'-5"
N0501	10	10"	2'-10"	3'-6"			7'-2"

QUANTITIES			
ITEM	UNIT	INTERIOR	EXTERIOR
REINFORCING STEEL	LB	2706	3593
CONCRETE, f'c 7,500	CY	19.4	19.5
0.6 Ø L.R. STRANDS	LF	2997	2997

① "LB05" BARS REQUIRED FOR EXTERIOR BEAMS ONLY.

BILL OF MATERIAL ONE 100' BARRIER PARAPET					
MARK	NO. REQ'D	DIMENSION			LENGTH
		"a"	"b"	"c"	
A0502	20	51'-1"			51'-1"
A0503	16	5'-0"			5'-0"
J0505	116	5½"	3'-3"		7'-0"

QUANTITIES		
ITEM	UNIT	TOTAL
2.0" SCHEDULE 80 PVC CONDUIT	LF	200.0
REINFORCING STEEL	LB	1996
MASH CONCRETE BARRIER PARAPET	LF	100.0

ESTIMATED QUANTITIES - ONE 100' SPAN		
ITEM	UNIT	TOTAL
2.0" SCHEDULE 80 PVC CONDUIT	LF	400.0
REINFORCING STEEL FOR STRUCTURES (BRIDGE)	LB	3992
3'-0" X 3'-3" BOX BEAMS	LF	1198.5
MASH CONCRETE BARRIER PARAPET	LF	200.0
ELASTOMERIC BEARING	EA	24
BRIDGE DECK WATERPROOFING	SY	375.9

CONSULTANT NAME/LOGO

SOUTH CAROLINA  
 DEPARTMENT OF TRANSPORTATION

**PRESTRESSED CONCRETE BOX BEAM**  
**100' SPAN**  
**33'-10" ROADWAY (-15° SKEW)**

COUNTY: ##### ROUTE: #####

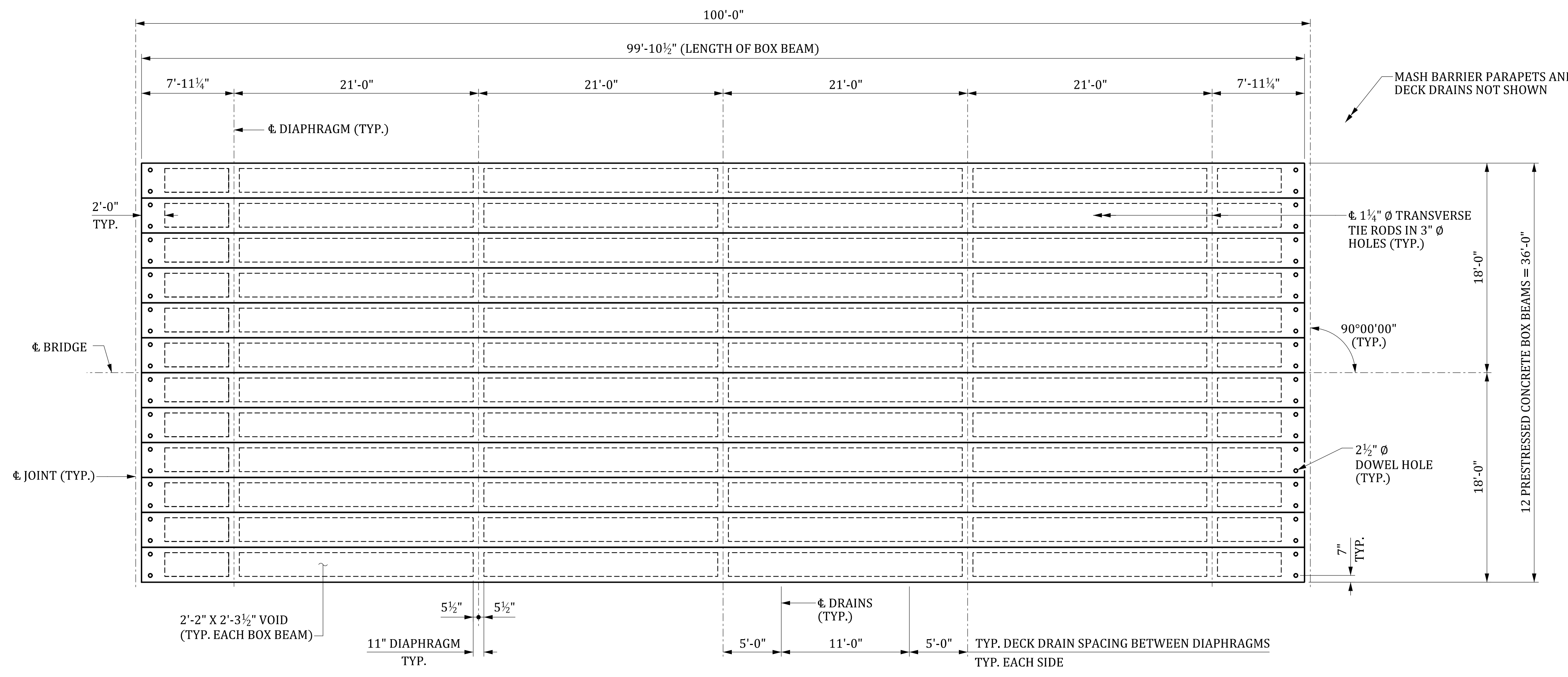
THIS DRAWING IS FURNISHED FOR INFORMATION ONLY. ALL DIMENSIONS SHOWN ARE SHEET SPECIFIC. ANY USE OF THIS DESIGN AND DRAWING, INCLUDING DIMENSIONS, MUST BE CHECKED BY THE USER'S ENGINEER TO ENSURE DESIGN IS ADEQUATE FOR THE INTENDED USE. ALL DRAWINGS MUST BE SIGNED AND SEALED BY A SOUTH CAROLINA REGISTERED PROFESSIONAL ENGINEER WHEN USED.

REV.	BY	CHK.	DATE	DESCRIPTION OF REVISION

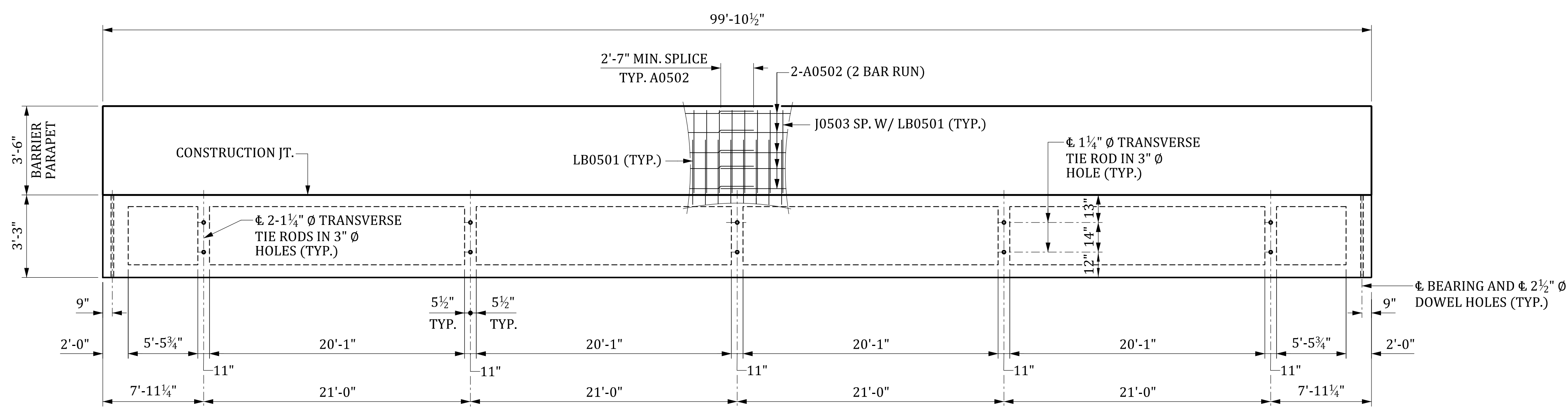
REVIEWED	QUAN.	GCM	MWB	10-23

G:\Morris\6/25/2024 4:20:50 PM 704-ABB\_100.dgn

DEAD LOAD DEFLECTION & CAMBER		
CAMBER AT ERECTION (BEAM ALONE IN PLACE)		↑ 2½"
DEFLECTION DUE TO BARRIER PARAPETS AND ASPHALT WEARING SURFACE		↓ X"
FINAL CAMBER		↑ X"



PLAN



ELEVATION

DECK DRAINS AND TIE ROD POCKETS NOT SHOWN.  
FOR BOX BEAM REINFORCING STEEL LAYOUT, SEE PRESTRESSED CONCRETE BOX BEAM 80' SPAN - DETAILS SHEETS.

BILL OF MATERIAL ONE 100' BOX BEAM							
MARK	NO. REQ'D	DIMENSION					LENGTH
		"a"	"b"	"c"	"d"	"e"	
A0401	10	2'-7"	---	---	---	---	2'-7"
A0501	12	50'-10"	---	---	---	---	50'-10"
J0401	68	2'-8"	2'-11"	---	---	---	8'-6"
J0402	68	2'-8"	1'-6"	---	---	---	5'-8"
J0403	135	2'-8"	1'-1"	---	---	---	4'-10"
J0404	44	2'-7"	1'-6"	---	---	---	5'-7"
J0501	36	2'-8½"	2'-4"	---	---	---	7'-5"
J0502	12	1'-10"	2'-3"	---	---	---	6'-4"
JD0401	62	1'-6"	6"	1'-2"	3"	4"	5'-10"
K0401	15	4½"	2'-10"	9"	---	---	7'-2"
LB0501	① 116	5½"	---	---	---	---	7'-4"
N0501	10	10"	2'-10"	3'-6"	---	---	7'-2"

QUANTITIES			
ITEM	UNIT	INTERIOR	EXTERIOR
REINFORCING STEEL	LB	2643	3530
CONCRETE, f'c 7,500	CY	19.3	19.4
0.6 ϕ L.R. STRANDS	LF	2997	2997

① LB0501 BARS REQUIRED FOR EXTERIOR BEAMS ONLY.

BILL OF MATERIAL ONE 100' BARRIER PARAPET					
MARK	NO. REQ'D	DIMENSION			LENGTH
		"a"	"b"	"c"	
A0502	20	51'-1"	---	---	51'-1"
A0503	16	5'-0"	---	---	5'-0"
J0503	116	5½"	3'-3"	---	7'-0"

QUANTITIES		
ITEM	UNIT	TOTAL
2.0" SCHEDULE 80 PVC CONDUIT	LF	200.0
REINFORCING STEEL	LB	1996
MASH CONCETE BARRIER PARAPET	LF	100.0

ESTIMATED QUANTITIES - ONE 100' SPAN		
ITEM	UNIT	TOTAL
2.0" SCHEDULE 80 PVC CONDUIT	LF	400.0
REINFORCING STEEL FOR STRUCTURES (BRIDGE)	LB	3992
3'-0" X 3'-3" BOX BEAMS	LF	1198.5
MASH CONCRETE BARRIER PARAPET	LF	200.0
ELASTOMERIC BEARING	EA	24
BRIDGE DECK WATERPROOFING	SY	375.9

CONSULTANT NAME/LOGO

SOUTH CAROLINA DEPARTMENT OF TRANSPORTATION

**PRESTRESSED CONCRETE BOX BEAM**  
100' SPAN  
33'-10" ROADWAY (0° SKEW)

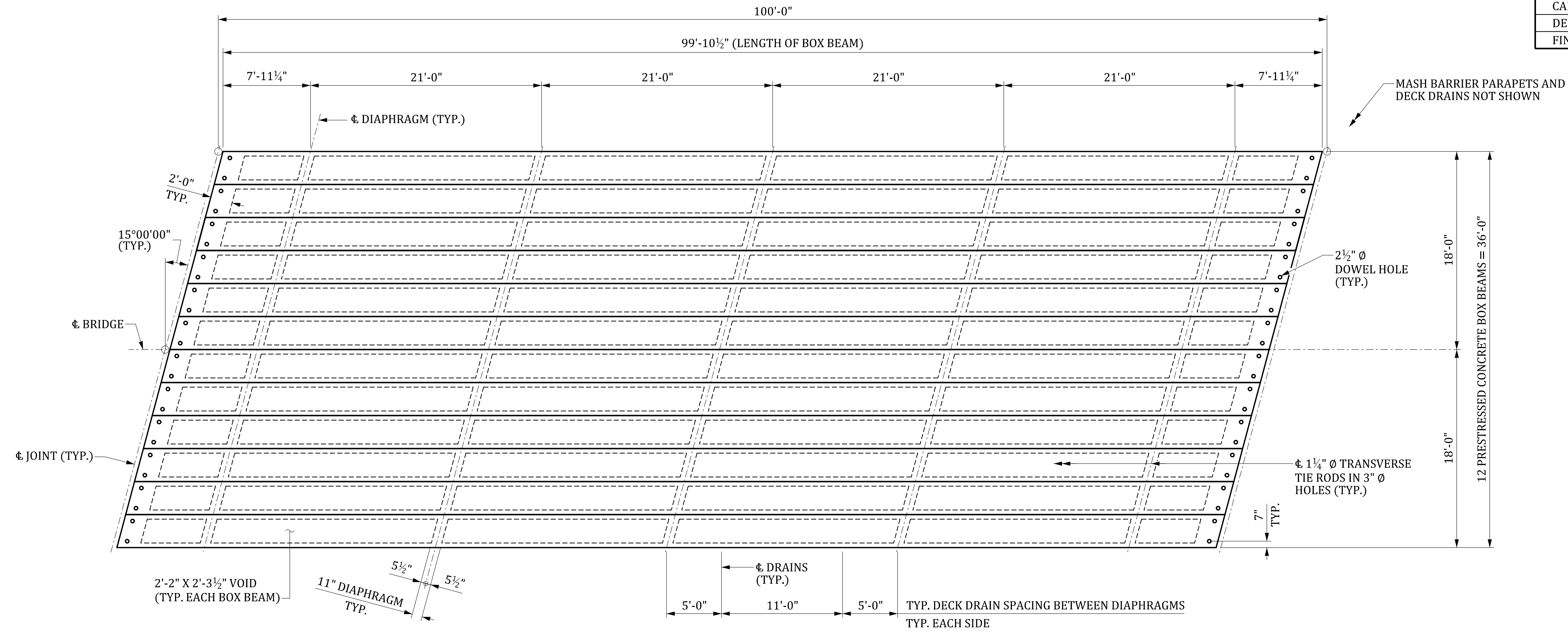
COUNTY: ##### ROUTE: #####

THIS DRAWING IS FURNISHED FOR INFORMATION ONLY. ALL DIMENSIONS SHOWN ARE SHEET SPECIFIC. ANY USE OF THIS DESIGN AND DRAWING, INCLUDING DIMENSIONS, MUST BE CHECKED BY THE USER'S ENGINEER TO ENSURE DESIGN IS ADEQUATE FOR THE INTENDED USE. ALL DRAWINGS MUST BE SIGNED AND SEALED BY A SOUTH CAROLINA REGISTERED PROFESSIONAL ENGINEER WHEN USED.

REVIEWED	QUAN.	DR.	DES.	GCM	OP	BY	CHK.	DATE	DESCRIPTION OF REVISION

CMorris 6/25/2024 4:20:52 PM 704-ABB-100.dgn

DEAD LOAD DEFLECTION & CAMBER		
CAMBER AT ERECTION (BEAM ALONE IN PLACE)		↑ 2½"
DEFLECTION DUE TO BARRIER PARAPETS AND ASPHALT WEARING SURFACE		↓ X"
FINAL CAMBER		↑ X"



**PLAN**

BILL OF MATERIAL ONE 100' BOX BEAM							
MARK	NO. REQ'D	DIMENSION					LENGTH
		"a"	"b"	"c"	"d"	"e"	
A0401	10	2'-8"					2'-8"
A0501	12	50'-10"					50'-10"
J0401	67	2'-8"	2'-11"				8'-6"
J0402	67	2'-8"	1'-6"				5'-8"
J0403	123	2'-8"	1'-1"				4'-10"
J0404	8	2'-9½"	1'-1"				5'-0"
J0405	6	2'-9"	1'-1"				4'-11"
J0501	28	2'-9½"	2'-4"				7'-6"
J0502	12	1'-11"	2'-3"				6'-5"
J0503	12	2'-9"	2'-4"				7'-5"
J0504	4	2'-8½"	2'-4"				7'-5"
JC0401	44	2'-8"	1'-6"	8⅝"			5'-8"
JD0401	61	1'-6"	6"	1'-2"	3"	4"	5'-10"
K0401	15	4½"	2'-10"	9"			7'-2"
LB0501	① 110	5½"					7'-4"
LB0502	① 6	5¾"					7'-5"
N0501	10	10"	2'-10"	3'-6"			7'-2"

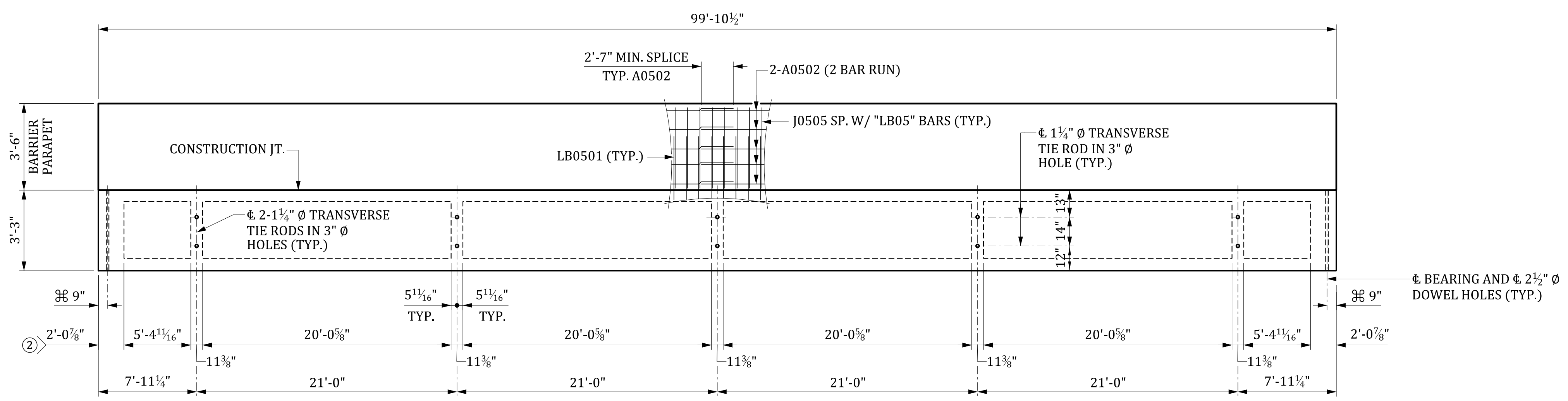
QUANTITIES			
ITEM	UNIT	INTERIOR	EXTERIOR
REINFORCING STEEL	LB	2706	3593
CONCRETE, f'c 7,500	CY	19.4	19.5
0.6 Ø L.R. STRANDS	LF	2997	2997

① "LB05" BARS REQUIRED FOR EXTERIOR BEAMS ONLY.

BILL OF MATERIAL ONE 100' BARRIER PARAPET							
MARK	NO. REQ'D	DIMENSION					LENGTH
		"a"	"b"	"c"	"d"	"e"	
A0502	20	51'-1"					51'-1"
A0503	16	5'-0"					5'-0"
J0505	116	5½"	3'-3"				7'-0"

QUANTITIES		
ITEM	UNIT	TOTAL
2.0" SCHEDULE 80 PVC CONDUIT	LF	200.0
REINFORCING STEEL	LB	1996
MASH CONCRETE BARRIER PARAPET	LF	100.0

ESTIMATED QUANTITIES - ONE 100' SPAN		
ITEM	UNIT	TOTAL
2.0" SCHEDULE 80 PVC CONDUIT	LF	400.0
REINFORCING STEEL FOR STRUCTURES (BRIDGE)	LB	3992
3'-0" X 3'-3" BOX BEAMS	LF	1198.5
MASH CONCRETE BARRIER PARAPET	LF	200.0
ELASTOMERIC BEARING	EA	24
BRIDGE DECK WATERPROOFING	SY	375.9



**ELEVATION**

DECK DRAINS AND TIE ROD POCKETS NOT SHOWN.  
FOR BOX BEAM REINFORCING STEEL LAYOUT, SEE PRESTRESSED CONCRETE BOX BEAM 80' SPAN - DETAILS SHEETS.

- ⊘ NORMAL TO END OF BEAM.
- ② ALONG Φ BEAM.

THIS DRAWING IS FURNISHED FOR INFORMATION ONLY. ALL DIMENSIONS SHOWN ARE SHEET SPECIFIC. ANY USE OF THIS DESIGN AND DRAWING, INCLUDING DIMENSIONS, MUST BE CHECKED BY THE USER'S ENGINEER TO ENSURE DESIGN IS ADEQUATE FOR THE INTENDED USE. ALL DRAWINGS MUST BE SIGNED AND SEALED BY A SOUTH CAROLINA REGISTERED PROFESSIONAL ENGINEER WHEN USED.

CONSULTANT NAME/LOGO

**SOUTH CAROLINA DEPARTMENT OF TRANSPORTATION**

**PRESTRESSED CONCRETE BOX BEAM**

**100' SPAN**

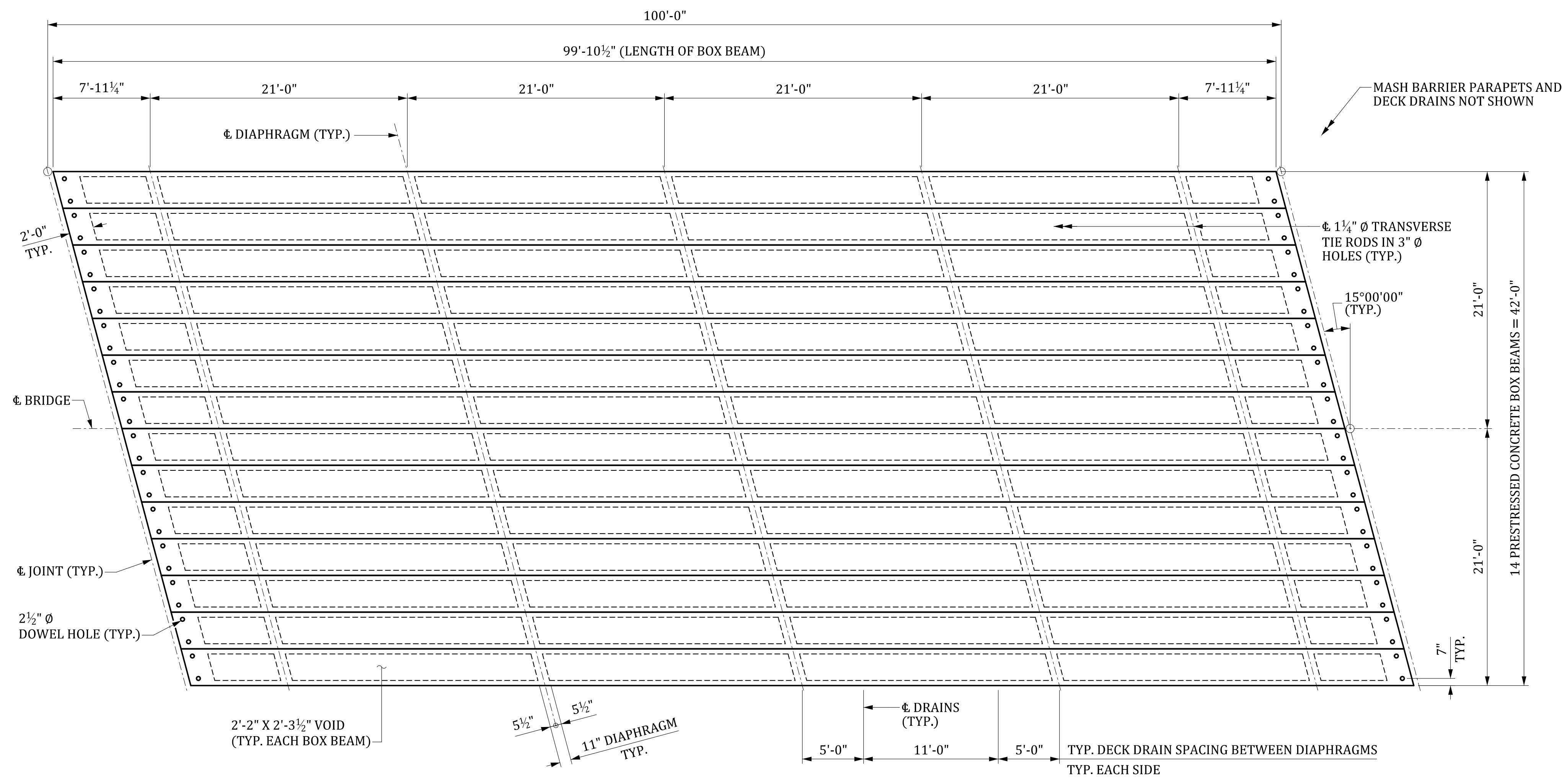
**33'-10" ROADWAY (+15° SKEW)**

COUNTY: #### ROUTE: ####

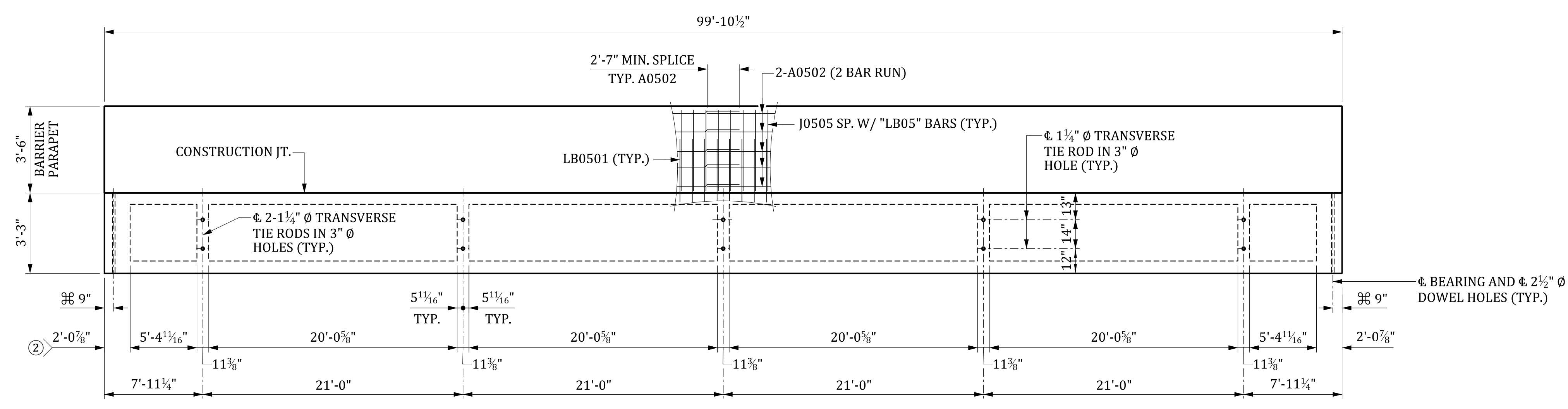
REVIEWED	QUAN.	DR.	DES.	BY	CHK.	DATE	DESCRIPTION OF REVISION
GCM	GCM	OP	WSA				
10-23	10-23	09-23					

CMorris 6/25/2024 4:20:49 PM 704-ABB\_100.dgn

DEAD LOAD DEFLECTION & CAMBER	
CAMBER AT ERECTION (BEAM ALONE IN PLACE)	↑ 2½"
DEFLECTION DUE TO BARRIER PARAPETS AND ASPHALT WEARING SURFACE	↓ X"
FINAL CAMBER	↑ X"



PLAN



ELEVATION

DECK DRAINS AND TIE ROD POCKETS NOT SHOWN.  
FOR BOX BEAM REINFORCING STEEL LAYOUT, SEE PRESTRESSED CONCRETE BOX BEAM 80' SPAN - DETAILS SHEETS.

BILL OF MATERIAL ONE 100' BOX BEAM							
MARK	NO. REQ'D	DIMENSION					LENGTH
		"a"	"b"	"c"	"d"	"e"	
A0401	10	2'-8"	—	—	—	—	2'-8"
A0501	12	50'-10"	—	—	—	—	50'-10"
J0401	67	2'-8"	2'-11"	—	—	—	8'-6"
J0402	67	2'-8"	1'-6"	—	—	—	5'-8"
J0403	123	2'-8"	1'-1"	—	—	—	4'-10"
J0404	8	2'-9½"	1'-1"	—	—	—	5'-0"
J0405	6	2'-9"	1'-1"	—	—	—	4'-11"
J0501	28	2'-9½"	2'-4"	—	—	—	7'-6"
J0502	12	1'-11"	2'-3"	—	—	—	6'-5"
J0503	12	2'-9"	2'-4"	—	—	—	7'-5"
J0504	4	2'-8½"	2'-4"	—	—	—	7'-5"
JC0401	44	2'-8"	1'-6"	8⅝"	—	—	5'-8"
JD0401	61	1'-6"	6"	1'-2"	3"	4"	5'-10"
K0401	15	4½"	2'-10"	9"	—	—	7'-2"
LB0501	① 110	5½"	—	—	—	—	7'-4"
LB0502	① 6	5¾"	—	—	—	—	7'-5"
N0501	10	10"	2'-10"	3'-6"	—	—	7'-2"

QUANTITIES			
ITEM	UNIT	INTERIOR	EXTERIOR
REINFORCING STEEL	LB	2706	3593
CONCRETE, f'c 7,500	CY	19.4	19.5
0.6 Ø L.R. STRANDS	LF	2997	2997

① "LB05" BARS REQUIRED FOR EXTERIOR BEAMS ONLY.

BILL OF MATERIAL ONE 100' BARRIER PARAPET						
MARK	NO. REQ'D	DIMENSION			LENGTH	
		"a"	"b"	"c"		"d"
A0502	20	51'-1"	—	—	—	51'-1"
A0503	16	5'-0"	—	—	—	5'-0"
J0505	116	5½"	3'-3"	—	—	7'-0"

QUANTITIES		
ITEM	UNIT	TOTAL
2.0" SCHEDULE 80 PVC CONDUIT	LF	200.0
REINFORCING STEEL	LB	1996
MASH CONCRETE BARRIER PARAPET	LF	100.0

ESTIMATED QUANTITIES - ONE 100' SPAN		
ITEM	UNIT	TOTAL
2.0" SCHEDULE 80 PVC CONDUIT	LF	400.0
REINFORCING STEEL FOR STRUCTURES (BRIDGE)	LB	3992
3'-0" X 3'-3" BOX BEAMS	LF	1398.3
MASH CONCRETE BARRIER PARAPET	LF	200.0
ELASTOMERIC BEARING	EA	28
BRIDGE DECK WATERPROOFING	SY	442.6

CONSULTANT NAME/LOGO

SOUTH CAROLINA  
DEPARTMENT OF TRANSPORTATION

**PRESTRESSED CONCRETE BOX BEAM**  
**100' SPAN**  
39'-10" ROADWAY (-15° SKEW)

COUNTY: #### ROUTE: ####

THIS DRAWING IS FURNISHED FOR INFORMATION ONLY. ALL DIMENSIONS SHOWN ARE SHEET SPECIFIC. ANY USE OF THIS DESIGN AND DRAWING, INCLUDING DIMENSIONS, MUST BE CHECKED BY THE USER'S ENGINEER TO ENSURE DESIGN IS ADEQUATE FOR THE INTENDED USE. ALL DRAWINGS MUST BE SIGNED AND SEALED BY A SOUTH CAROLINA REGISTERED PROFESSIONAL ENGINEER WHEN USED.

REVIEWED	GCM	MWB	10-23
QUAN.	GCM	MWB	10-23
DR.	OP	WSA	09-23
DES.	BY	CHK.	DATE

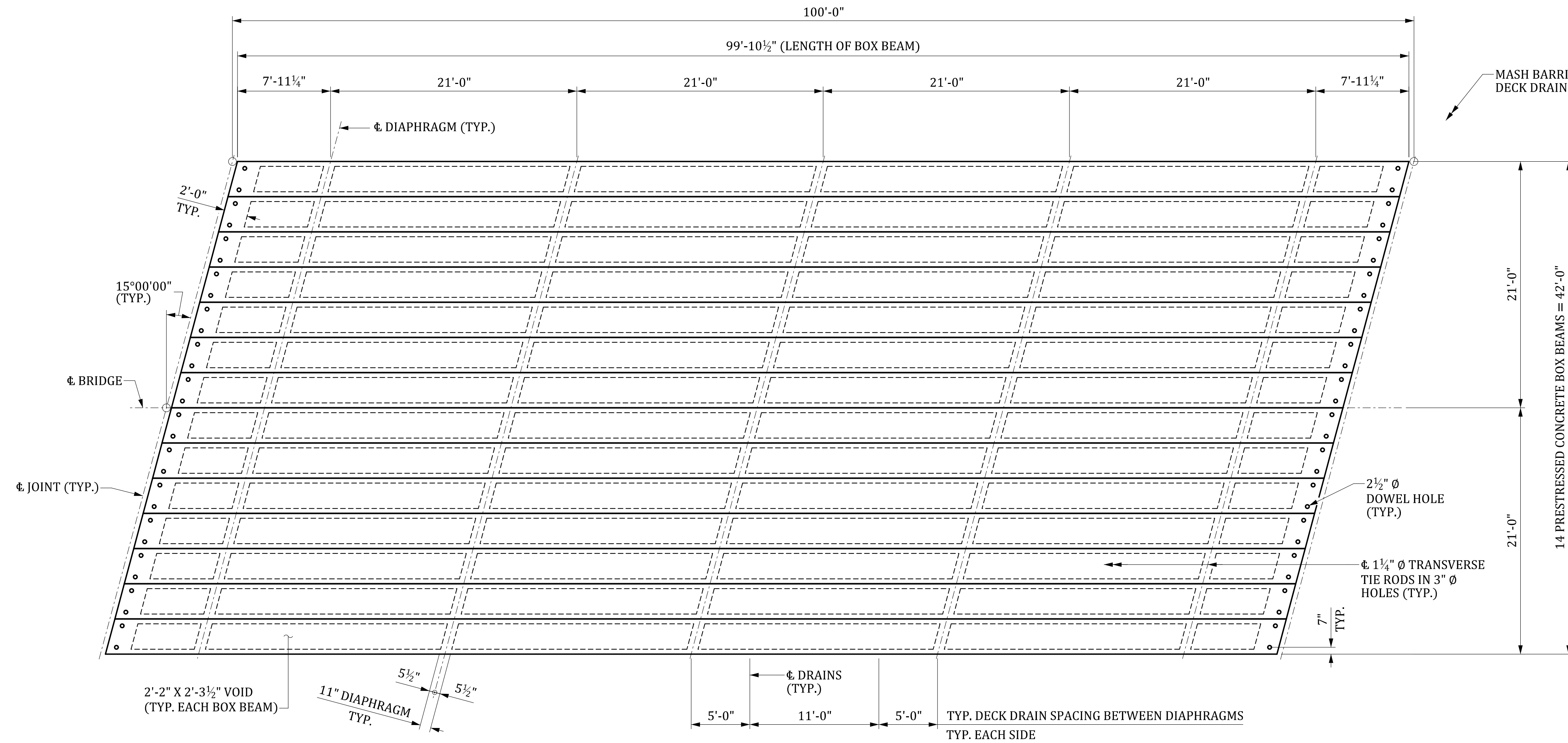
REV.	BY	CHK.	DATE	DESCRIPTION OF REVISION

G:\Morris\6/25/2024 4:20:55 PM 704-ABB\_100.dgn

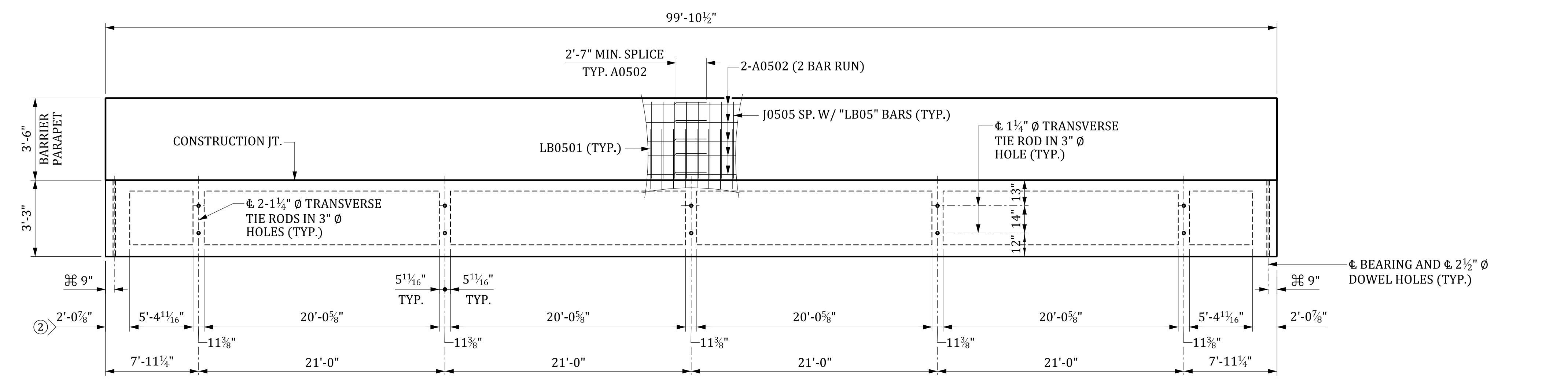




DEAD LOAD DEFLECTION & CAMBER	
CAMBER AT ERECTION (BEAM ALONE IN PLACE)	↑ 2½"
DEFLECTION DUE TO BARRIER PARAPETS AND ASPHALT WEARING SURFACE	↓ X"
FINAL CAMBER	↑ X"



**PLAN**



**ELEVATION**

DECK DRAINS AND TIE ROD POCKETS NOT SHOWN.  
FOR BOX BEAM REINFORCING STEEL LAYOUT, SEE PRESTRESSED CONCRETE BOX BEAM 80' SPAN - DETAILS SHEETS.

BILL OF MATERIAL ONE 100' BOX BEAM							
MARK	NO. REQ'D	DIMENSION					LENGTH
		"a"	"b"	"c"	"d"	"e"	
A0401	10	2'-8"	—	—	—	—	2'-8"
A0501	12	50'-10"	—	—	—	—	50'-10"
J0401	67	2'-8"	2'-11"	—	—	—	8'-6"
J0402	67	2'-8"	1'-6"	—	—	—	5'-8"
J0403	123	2'-8"	1'-1"	—	—	—	4'-10"
J0404	8	2'-9½"	1'-1"	—	—	—	5'-0"
J0405	6	2'-9"	1'-1"	—	—	—	4'-11"
J0501	28	2'-9½"	2'-4"	—	—	—	7'-6"
J0502	12	1'-11"	2'-3"	—	—	—	6'-5"
J0503	12	2'-9"	2'-4"	—	—	—	7'-5"
J0504	4	2'-8½"	2'-4"	—	—	—	7'-5"
JC0401	44	2'-8"	1'-6"	8⅝"	—	—	5'-8"
JD0401	61	1'-6"	6"	1'-2"	3"	4"	5'-10"
K0401	15	4½"	2'-10"	9"	—	—	7'-2"
LB0501	① 110	5½"	—	—	—	—	7'-4"
LB0502	① 6	5¾"	—	—	—	—	7'-5"
N0501	10	10"	2'-10"	3'-6"	—	—	7'-2"

QUANTITIES			
ITEM	UNIT	INTERIOR	EXTERIOR
REINFORCING STEEL	LB	2706	3593
CONCRETE, f'c 7,500	CY	19.4	19.5
0.6 Ø L.R. STRANDS	LF	2997	2997

① "LB05" BARS REQUIRED FOR EXTERIOR BEAMS ONLY.

BILL OF MATERIAL ONE 100' BARRIER PARAPET					
MARK	NO. REQ'D	DIMENSION			LENGTH
		"a"	"b"	"c"	
A0502	20	51'-1"	—	—	51'-1"
A0503	16	5'-0"	—	—	5'-0"
J0505	116	5½"	3'-3"	—	7'-0"

QUANTITIES		
ITEM	UNIT	TOTAL
2.0" SCHEDULE 80 PVC CONDUIT	LF	200.0
REINFORCING STEEL	LB	1996
MASH CONCRETE BARRIER PARAPET	LF	100.0

ESTIMATED QUANTITIES - ONE 100' SPAN		
ITEM	UNIT	TOTAL
2.0" SCHEDULE 80 PVC CONDUIT	LF	400.0
REINFORCING STEEL FOR STRUCTURES (BRIDGE)	LB	3992
3'-0" X 3'-3" BOX BEAMS	LF	1398.3
MASH CONCRETE BARRIER PARAPET	LF	200.0
ELASTOMERIC BEARING	EA	28
BRIDGE DECK WATERPROOFING	SY	442.6

CONSULTANT NAME/LOGO

**SOUTH CAROLINA DEPARTMENT OF TRANSPORTATION**

**PRESTRESSED CONCRETE BOX BEAM**

**100' SPAN**

**39'-10" ROADWAY (+15° SKEW)**

THIS DRAWING IS FURNISHED FOR INFORMATION ONLY. ALL DIMENSIONS SHOWN ARE SHEET SPECIFIC. ANY USE OF THIS DESIGN AND DRAWING, INCLUDING DIMENSIONS, MUST BE CHECKED BY THE USER'S ENGINEER TO ENSURE DESIGN IS ADEQUATE FOR THE INTENDED USE. ALL DRAWINGS MUST BE SIGNED AND SEALED BY A SOUTH CAROLINA REGISTERED PROFESSIONAL ENGINEER WHEN USED.

REVIEWED	QUAN.	DR.	DES.	BY	CHK.	DATE	DESCRIPTION OF REVISION

REVISION	DATE	BY	CHK.	DATE	DESCRIPTION OF REVISION

G:\Morris 6/25/2024 4:20:53 PM 704-ABB\_100.dgn