



South Carolina
Department of Transportation

955 Park Street
Post Office Box 191
Columbia, South Carolina 29202-0191

Office of the Executive Director
(803) 737-1302 • Fax (803) 737-2038

State Highway Engineer
(803) 737-1314 • Fax (803) 737-2038

Chief Financial Officer
(803) 737-1240 • Fax (803) 737-2014

Director of Mass Transit
(803) 737-9720 • Fax (803) 737-9739

DM0298

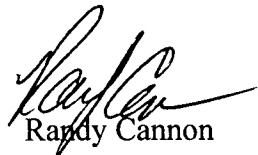
MEMORANDUM TO GROUP LEADERS & CONSULTANTS

SUBJECT: New Drip Groove Location

Due to a complaint from the field engineers about insufficient cover for the bottom slab reinforcing steel at the drip groove, the drip groove shall be detailed 2" from the edge of slab instead of the 3" currently being shown.

The attached sketch shows a typical condition when slip forming is used. The transverse slab bar lengths should be computed to provide 2" clear to edge of slab as currently done. This will provide 3 1/2" clear when slip forming is used.

Plans that are completed need not be changed. Office standard details will be revised accordingly.



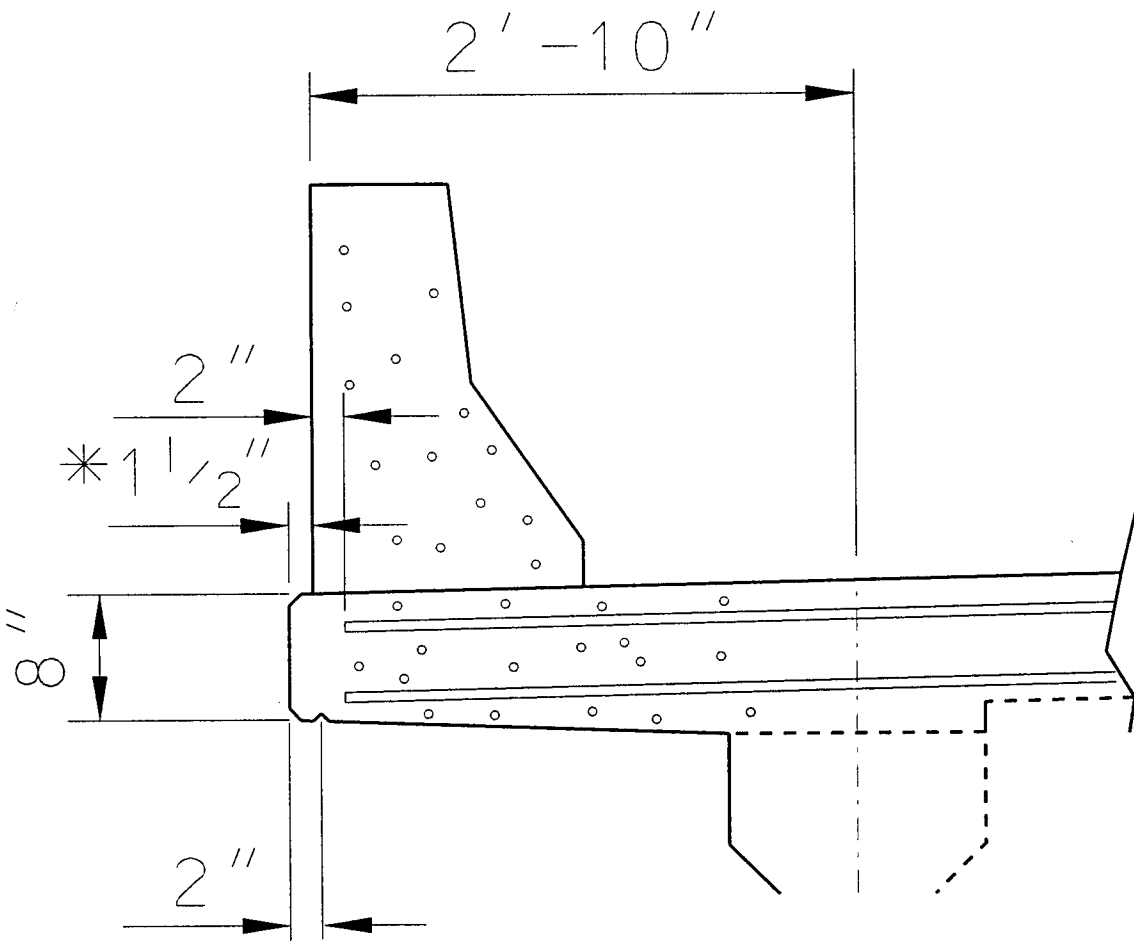
Randy Cannon
Bridge Design Engineer

RRC/slb

Attachment

cc: Assistant Bridge Design Engineers

File: PC/REL



*1 1/2" additional slab for slip forming Barrier parapet.

$$1'' = 1' - 0''$$