

BDF



South Carolina  
Department of Transportation

955 Park Street  
Post Office Box 191  
Columbia, South Carolina 29202-0191

Office of the Director  
(803) 737-1302 ♦ Fax (803) 737-2038

Deputy Director of Engineering  
(803) 737-1314 ♦ Fax (803) 737-2038

Deputy Director of Finance and Administration  
(803) 737-1240 ♦ Fax (803) 737-1719

Deputy Director of Mass Transit  
(803) 737-1280 ♦ Fax (803) 737-1862

DM0495

October 27, 1995

**MEMORANDUM TO GROUP LEADERS & CONSULTANTS**

**SUBJECT:** Column Reinforcing Steel

The main (vertical) reinforcing steel in columns will be detailed continuous with a maximum spacing of 200 mm (8") between bars (see Figure 2). A note shall be added to the bent sheet allowing splices provided they are only mechanical splices. A minimum stagger of 600 mm (2'-0") between adjacent splice shall be required and the splice must be within the middle 1/3 of the column height.

Spirals are to be used and shall be continuous from the footing to the cap with extension into the cap and footing. The spirals may be spliced with a full strength lap weld or a mechanical coupler capable of providing 125% Fy of the bar. If the Contractor elects to weld, he shall submit his welding procedure and be approved before fabricating reinforcing welded splices. All welding of reinforcing steel shall be in accordance with AWS D1.4 "Structural Welding Code - Reinforcing Steel".

The preferred column shapes shall be round or oblong with rounded ends. When the columns are oblong in shape, they shall be reinforced with all main reinforcement enclosed within circular spirals spaced a maximum of 0.75 diameter of the core center to center. Spirals shall overlap a minimum of four (4) main reinforcing bars. See Figure (2).

This memorandum supersedes Memorandum DM0293. Memorandum DM0391 shall be modified by: deleting paragraph 2(D), deleting Figure 4, and replacing Figure 2 with Figure 2 on the attachment.

Rocque L. Kneece  
Bridge Design Engineer

Attachments:

cc: Assistant Bridge Design Engineers

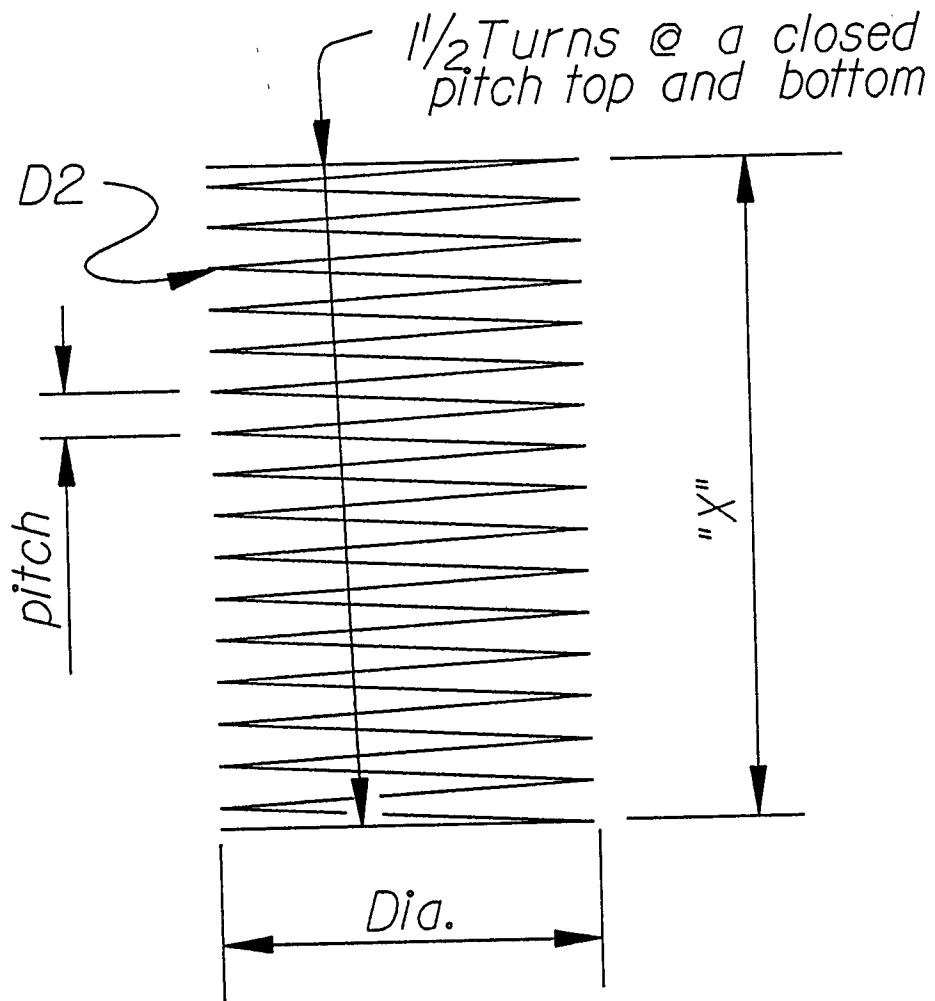
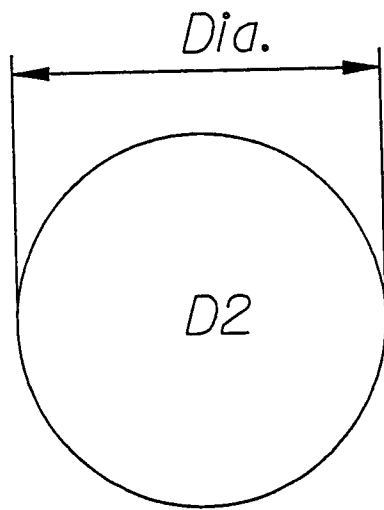
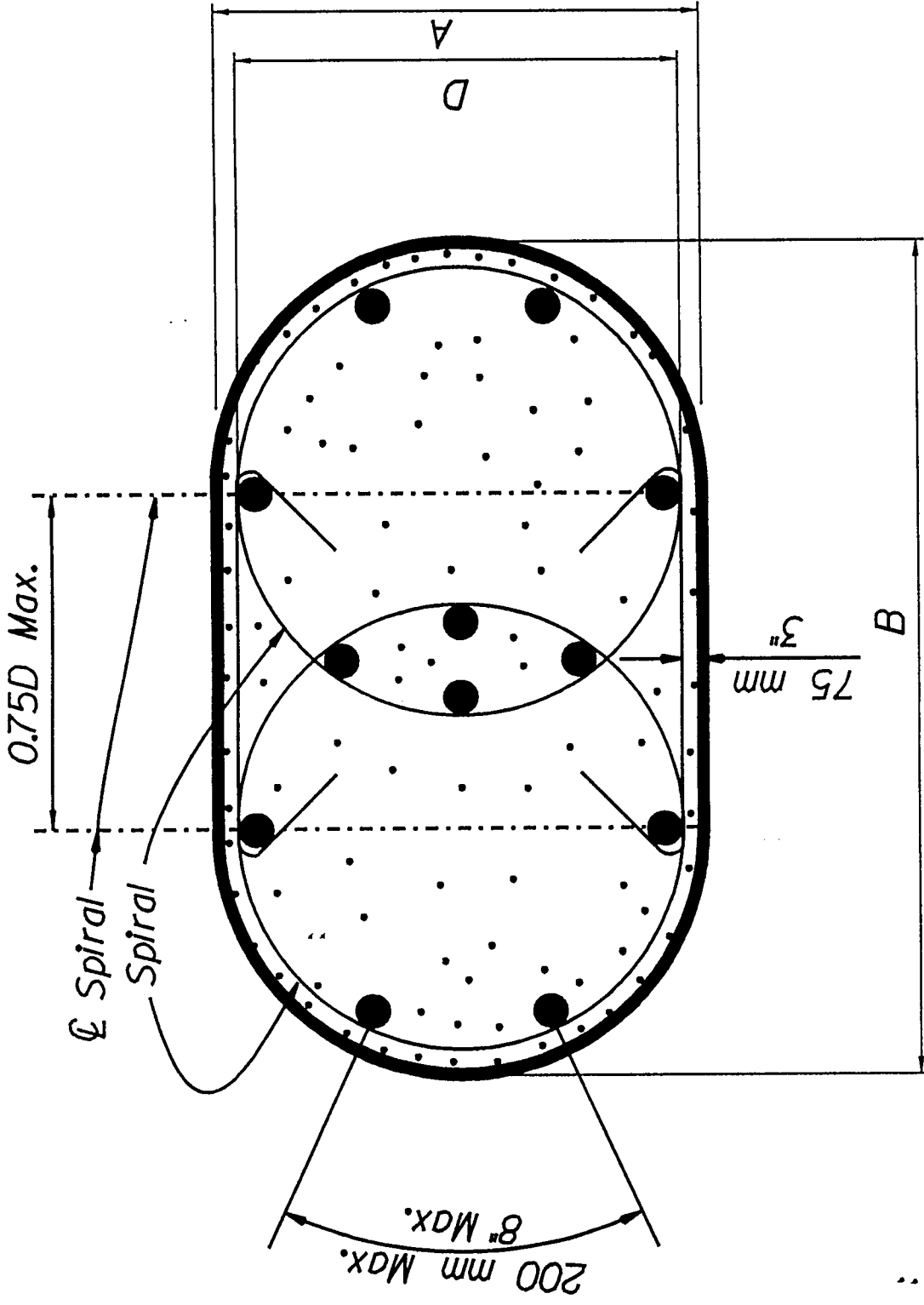


FIGURE 1

---



**FIGURE 2**  
 Section Tfu Column