



June 10, 2005

MEMORANDUM TO TEAM LEADERS AND CONSULTANTS

SUBJECT: Bridge Railing

Where accommodations are not required for pedestrians or bicyclists, the following criteria shall be used to determine the type of bridge railing:

- For bridges less than 50 feet in length and having straight wing walls (wing walls that are parallel to the centerline of bent), a reinforced concrete bridge railing with a vertical traffic face shall be used. See attached Detail.
- For bridges 50 feet or greater in length and for all bridges having parallel wing walls (wing walls that are parallel to the centerline of bridge), the Department's standard barrier parapet and the Department's standard barrier parapet transition shall be used.

For previously completed plans that do not conform to the requirements of this memorandum, the Bridge Design Engineer will, on a case-by-case basis, assess the need for revisions.

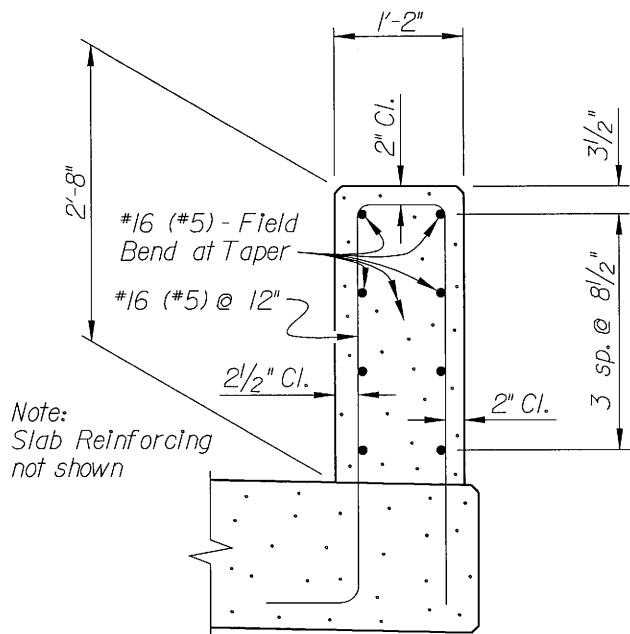
Douglas E. McClure, P. E.
State Bridge Design Engineer

Attachment

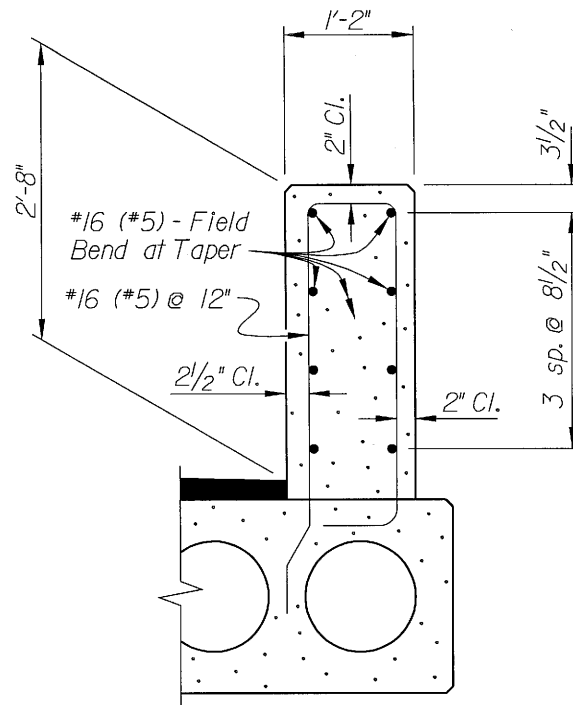
- cc: Assistant Bridge Design Engineers
- Bridge Construction Engineer
- Bridge Maintenance Engineer
- FHWA Structural Engineer

File: PC/BWB



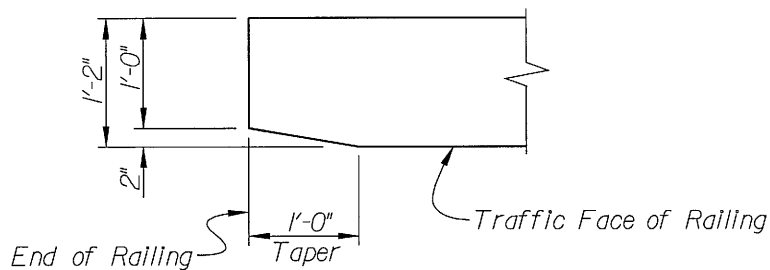


FLAT SLAB



CORED SLAB

SECTION THRU RAILING



PLAN VIEW AT END OF RAILING

REINFORCED CONCRETE BRIDGE RAILING
WITH VERTICAL TRAFFIC FACE