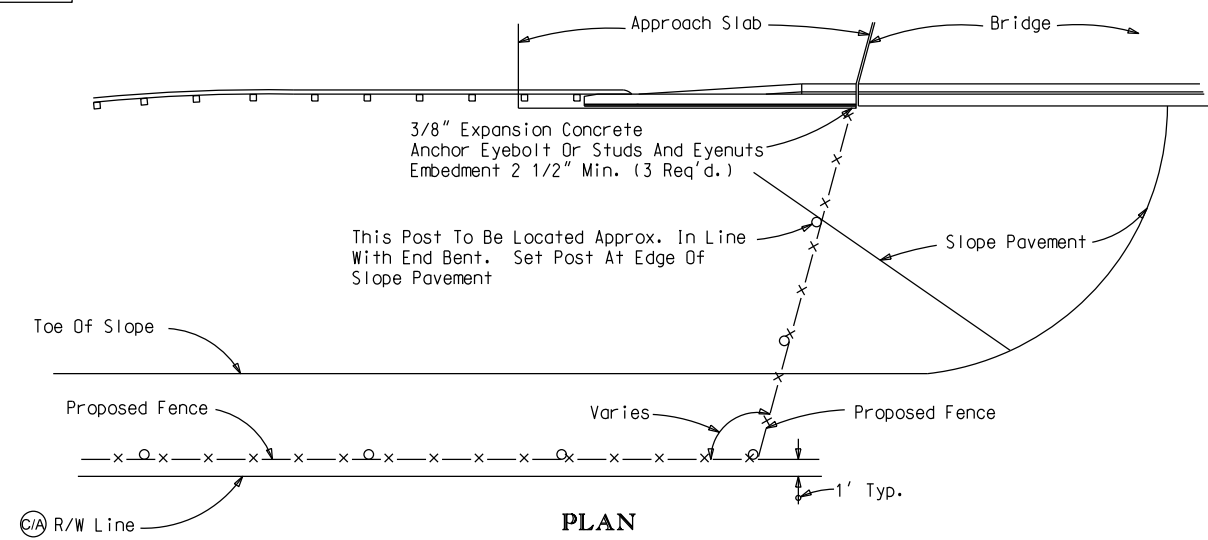
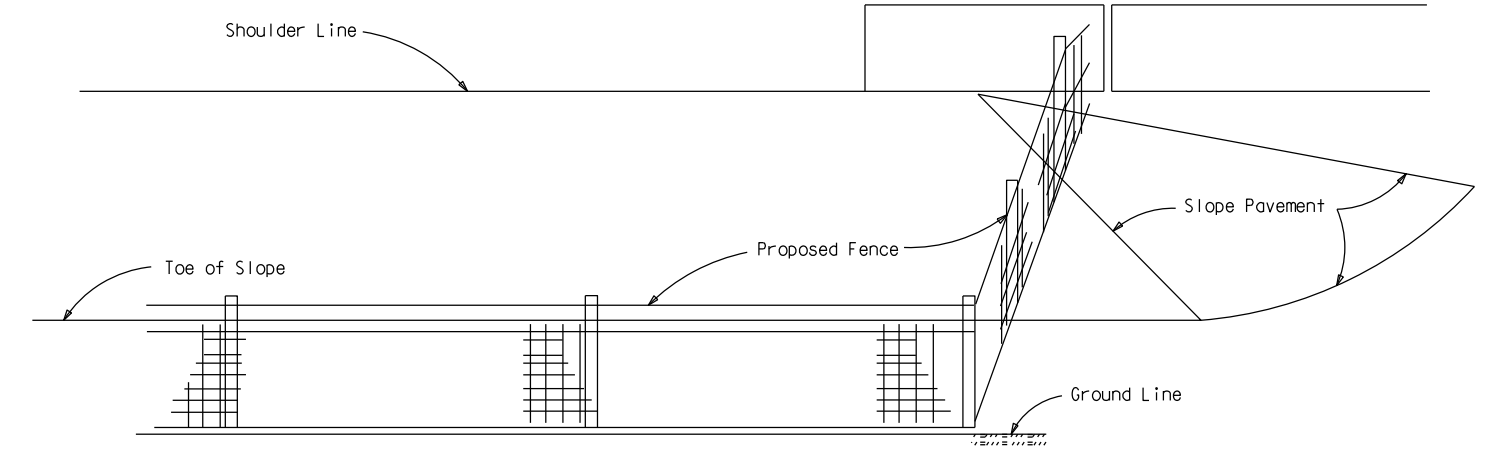


FED. ROAD DIV. NO.	STATE	COUNTY	PROJECT ID	PROJECT NO.	ROUTE NO.	SHEET NO.	TOTAL SHEETS

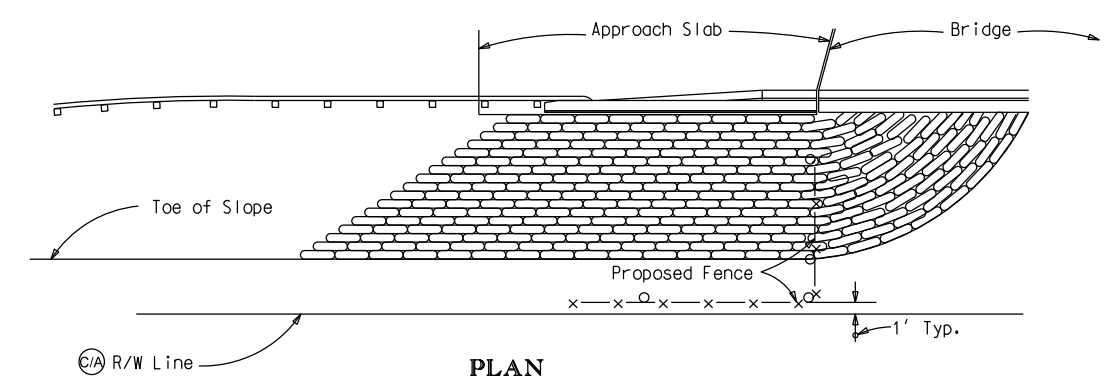


PLAN

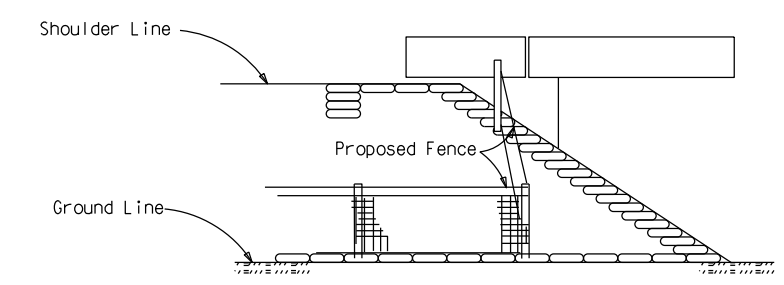


ELEVATION

**FENCING TERMINALS AT BRIDGE ENDS
(ROADWAYS & RAILROADS)**

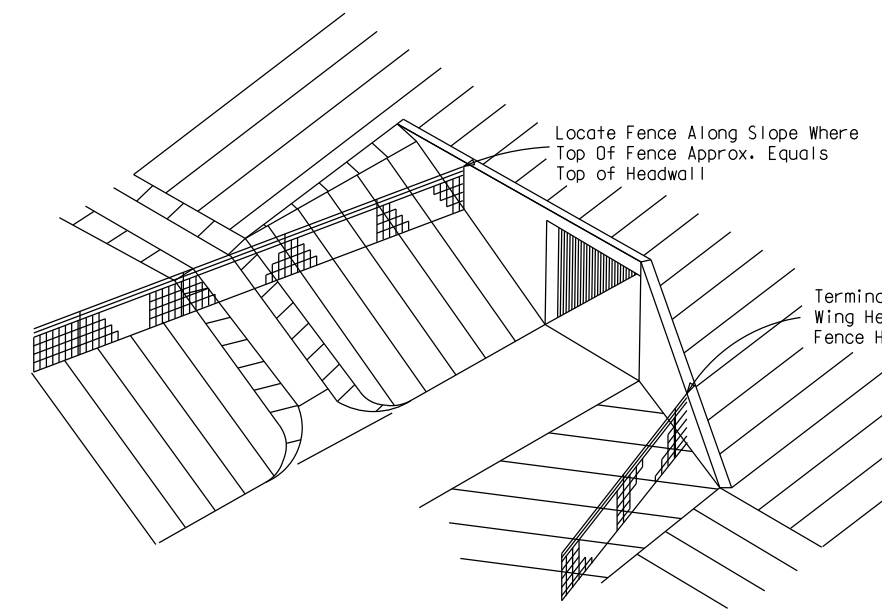


PLAN

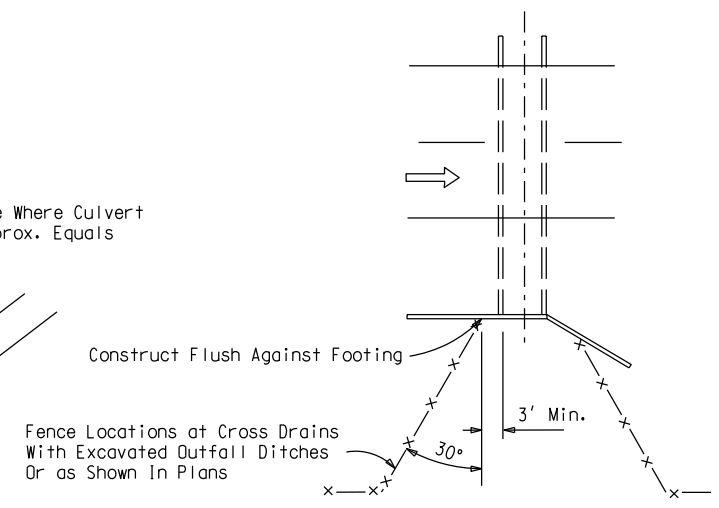


ELEVATION

**FENCING TERMINALS AT BRIDGE ENDS
(STREAM CROSSINGS)**

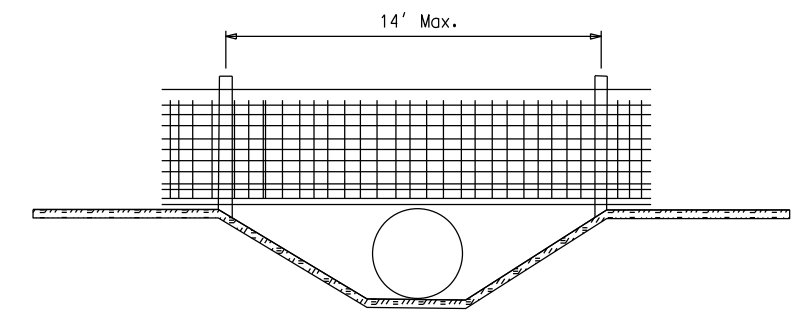


PICTORAL VIEW



PLAN

**FENCING TERMINALS AT BOX CULVERTS
(For Heights Of Headwalls Greater than 4')**



FENCING DETAIL AT CULVERT

(For Heights Of Headwalls 4' Or Less)

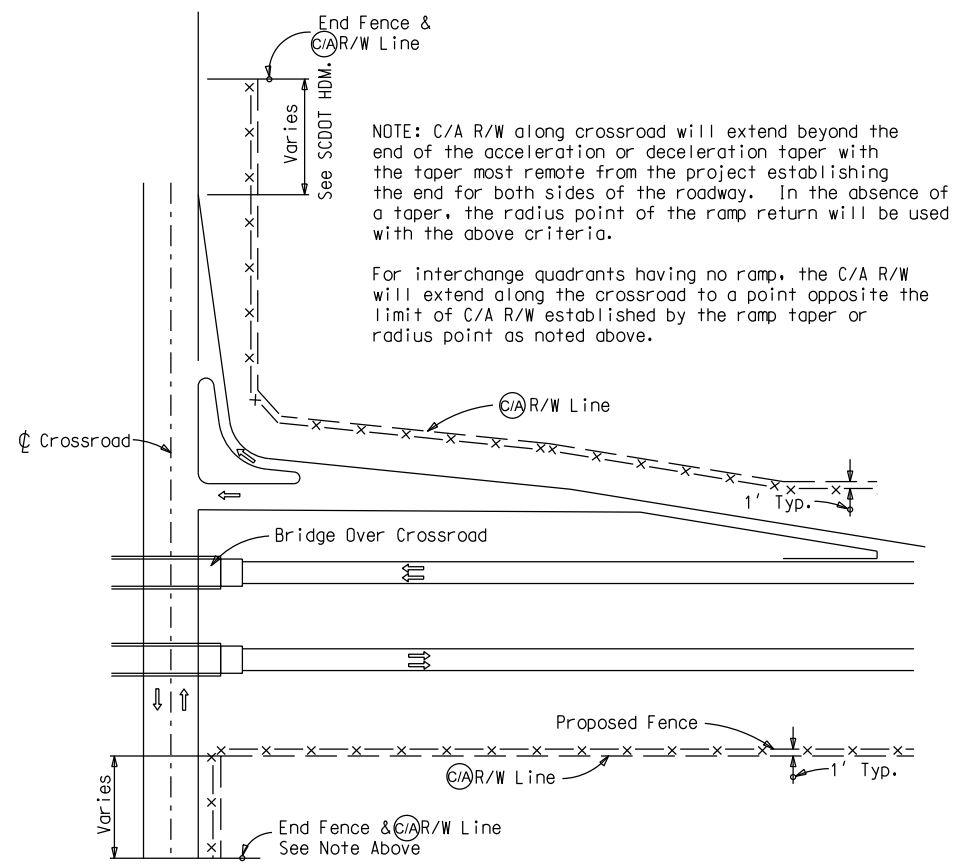
Note: When height of headwalls is 4' or less (drainage pipe 36" or less) the fence shall not be tied to the headwall, but shall span the lateral ditch.

4			
3			
2			
1			
REV. NO.	BY	DATE	DESCRIPTION OF REVISION
TOPO.		DATE	
DWG.		DATE	SQUAD -
R/W		DATE	

SOUTH CAROLINA DEPARTMENT OF TRANSPORTATION ROAD DESIGN COLUMBIA, S.C.		
FENCE LOCATIONS SHEET 1 of 2		
SCALE 1"=	RTE.	DWG. NO.

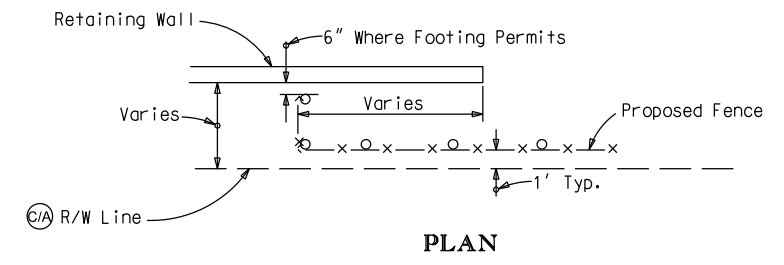
\$\$\$\$\$user\$\$\$\$\$
\$\$\$\$\$paths\$\$\$\$\$filename\$\$\$\$\$
\$\$\$\$\$ctes\$\$\$\$\$

FED. ROAD DIV. NO.	STATE	COUNTY	PROJECT ID	PROJECT NO.	ROUTE NO.	SHEET NO.	TOTAL SHEETS

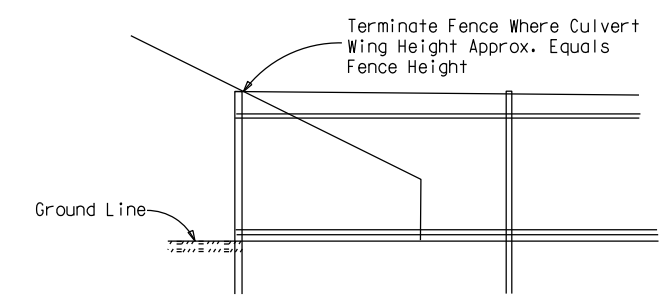


Applies to Bridge over Crossroad and Crossroad over Freeway (Bridge over Crossroad Shown)

FENCING TERMINALS AT INTERCHANGES



PLAN



ELEVATION

FENCING TERMINALS AT RETAINING WALLS

\$\$\$\$\$user\$\$\$\$\$
 \$\$\$path\$\$\$\$\$filename\$\$\$\$\$
 \$\$\$date\$\$\$\$\$

4				SOUTH CAROLINA DEPARTMENT OF TRANSPORTATION ROAD DESIGN COLUMBIA, S.C.
3				
2				
1				
REV. NO.	BY	DATE	DESCRIPTION OF REVISION	FENCE LOCATIONS SHEET 2 of 2
TOPO.		DATE		
DWG.		DATE	SQUAD -	
RW		DATE		SCALE 1"= RTE. DWG. NO.