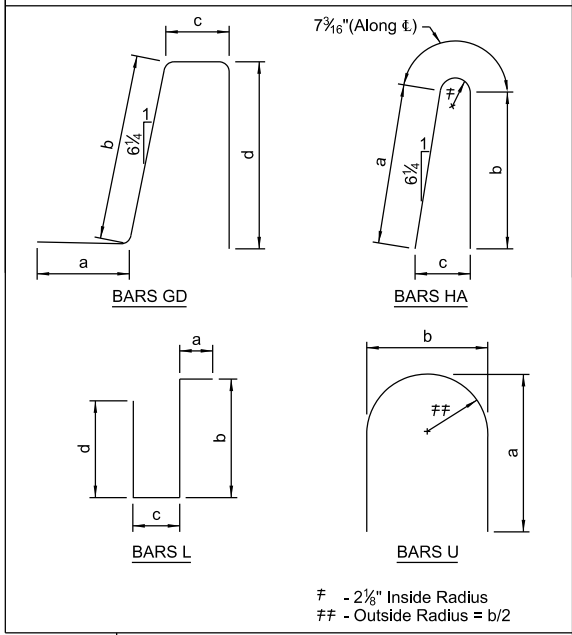


REINF. STEEL SCHEDULE

MARK	NO. REQ'D	DIMENSION				LENGTH
		"a"	"b"	"c"	"d"	
A1301	7	10'-6"	---	---	---	10'-6"
A1601	8	11'-8"	---	---	---	11'-8"
GD1601	9	0'-10"	2'-0 1/4"	0'-9"	2'-0"	5'-8"
GD1602	3	0'-10"	2'-0 1/4"	0'-8 1/2"	2'-0"	5'-7"
GD1603	6	0'-10"	1'-7 3/4"	0'-8"	1'-7 1/2"	4'-10"
GD1604	8	0'-10"	1'-3 1/4"	0'-10 1/2"	1'-3"	4'-3"
HA1601	9	3'-0"	2'-11"	0'-11"	---	6'-7"
L1601	3	0'-10"	4'-0"	0'-4 3/4"	4'-0"	9'-3"
L1602	3	0'-10"	3'-9 1/2"	0'-5 1/2"	3'-9 1/2"	8'-11"
L1603	3	0'-10"	3'-7"	0'-6 1/4"	3'-7"	8'-7"
L1604	8	0'-10"	3'-4"	0'-7 1/4"	3'-4"	8'-2"
U1601	1	2'-0"	0'-5"	---	---	4'-2"

REINFORCING BENDING DETAILS

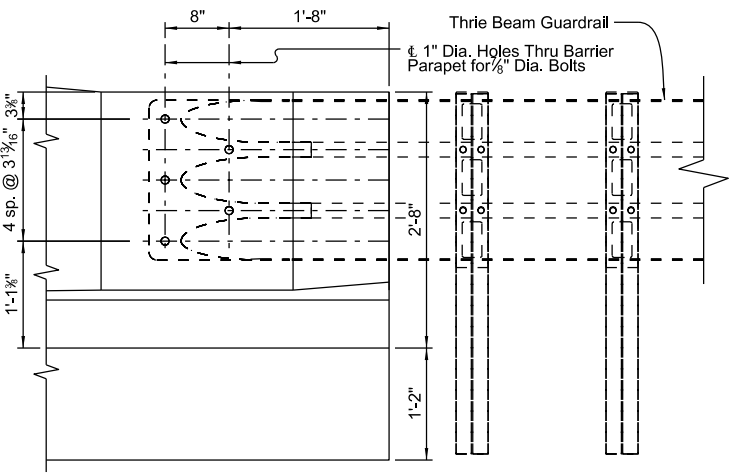


QUANTITIES

ITEM	UNIT	QUANTITY
Barrier Parapet	LF	8.0
Barrier Parapet Transition	EA	1

★ Dimensions shown are calculated for bridges with normal crown and S.E. = 0.02 ft./ft.

LEGEND:
 F.S. = Far Side
 N.S. = Near Side
 S.E. = Superelevation



GUARDRAIL ATTACHMENT DETAIL

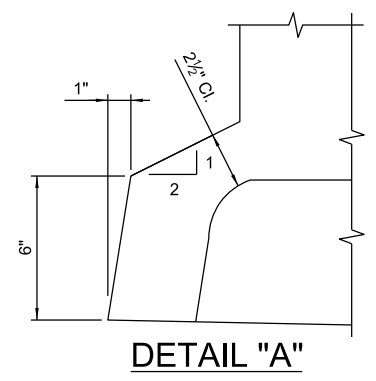
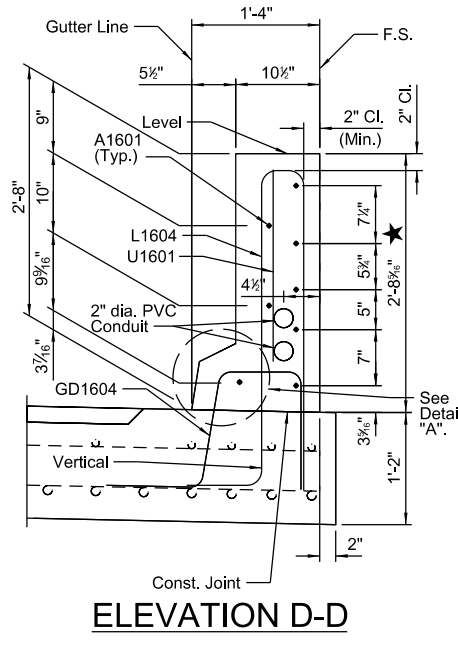
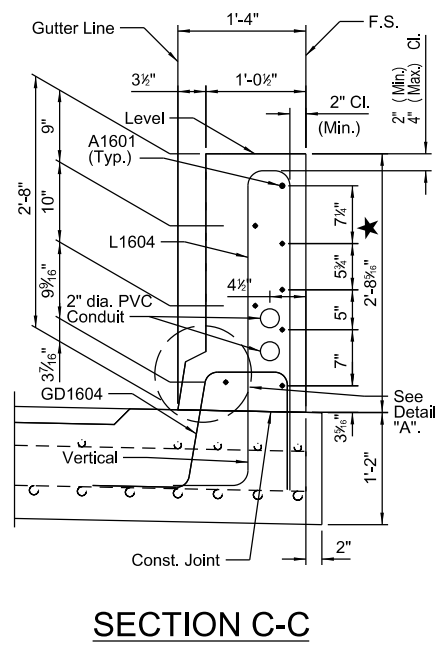
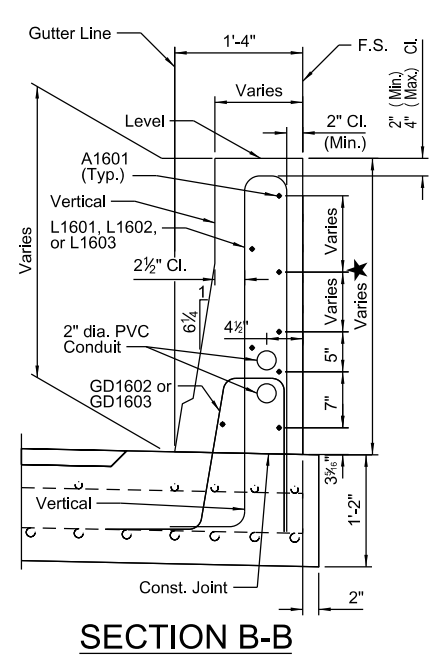
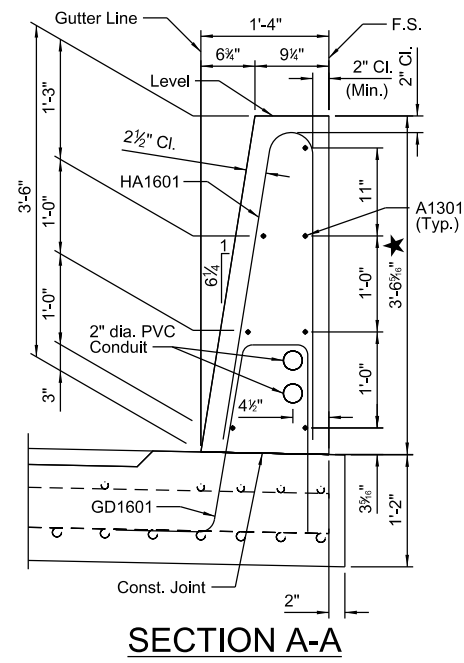
REV.	REV.	REV.

SOUTH CAROLINA
 DEPARTMENT OF TRANSPORTATION
 COLUMBIA, S.C.

**SCDOT
 SINGLE SLOPE BARRIER
 TRANSITION (1 OF 2)**

COUNTY XXXXXXXX ROUTE XXXXXX

DRAWING NO. ###-##



★ Dimensions shown are calculated for bridges with normal crown and S.E. = 0.02 ft./ft.

LEGEND:
 F.S. = Far Side
 N.S. = Near Side
 S.E. = Superelevation

REVIEWED	REV.	REV.	REV.
QUAN.			
DR.			
DES.		XXX	XXX
BY	CHK	DATE	XXXXXX

SOUTH CAROLINA
 DEPARTMENT OF TRANSPORTATION
 COLUMBIA, S.C.

**SCDOT
 SINGLE SLOPE BARRIER
 TRANSITION (2 OF 2)**

COUNTY XXXXXXXX _____ ROUTE XXXXXX _____

DRAWING NO. ###-##