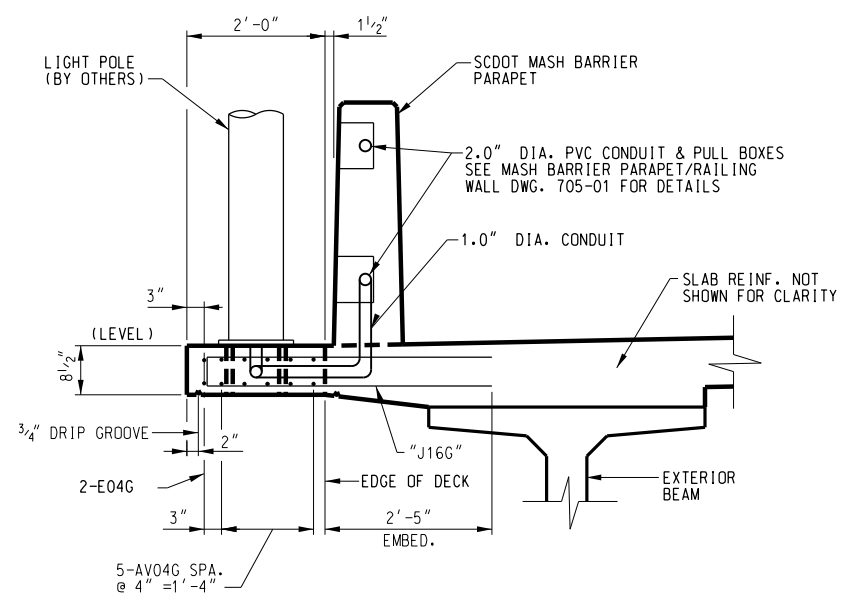


LIGHT BRACKET PLAN

① FORMED HOLES IN LIGHT BRACKET FOR FUTURE LIGHT POLE



LIGHT BRACKET SECTION

ADJUST BAR SPACING AS NECESSARY TO LAP WITH TRANSVERSE SLAB REINFORCING OR TO CLEAR DECK REINFORCING BY 1/2" MIN.
POUR LIGHT BRACKET MONOLITHICALLY WITH DECK.