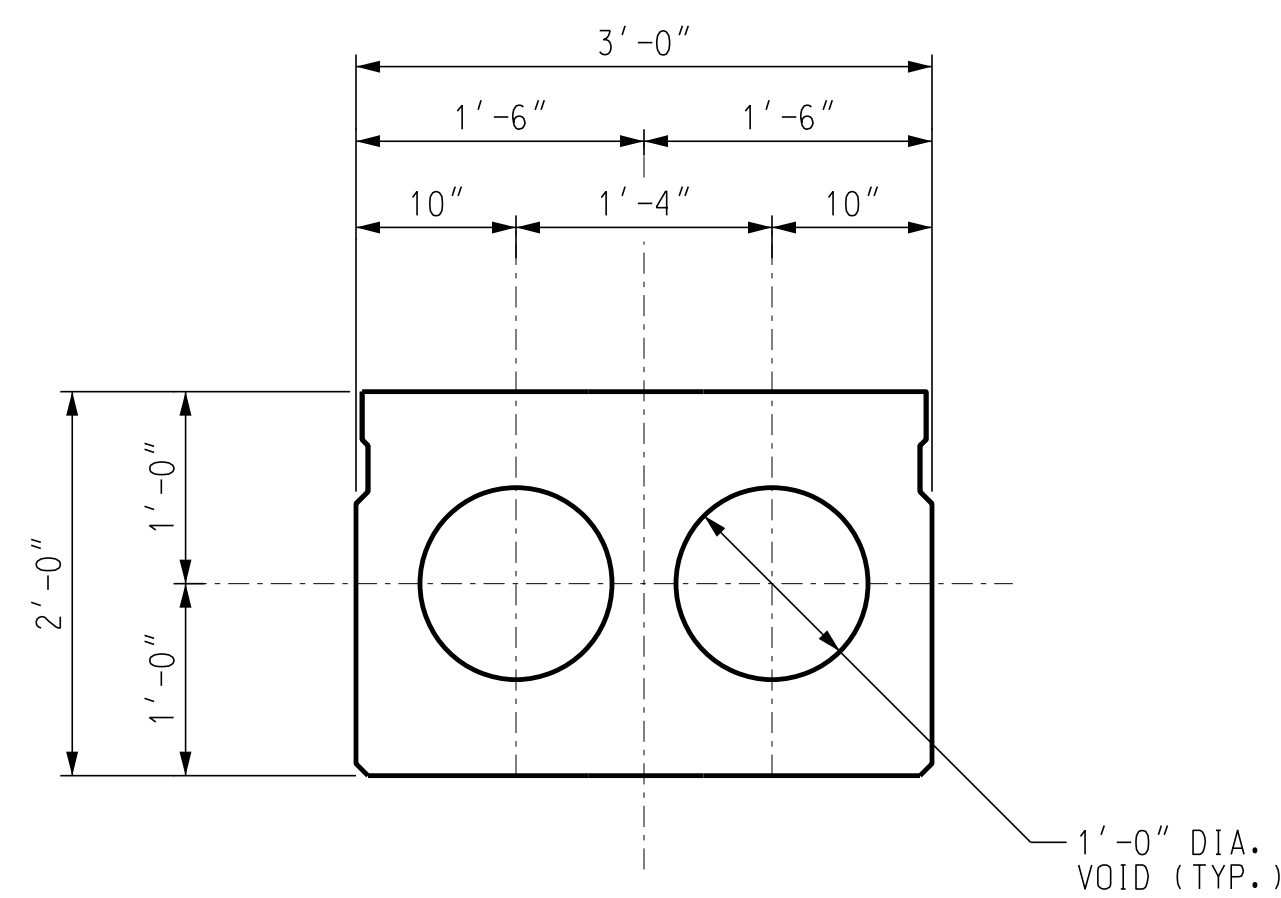


TYPICAL SECTION

(LOOKING IN DIRECTION OF STATIONING)



INTERIOR CORED SLAB SECTION

LEGEND:

- ① - 8 1/4" MIN. OVERLAY
- ② - 4 1/2" MIN. OVERLAY (TYP.)

MMcCabe 12/4/2024 7:59:02 AM BR01_SX_01.dgn

REV.	BY	CHK.	DATE	DESCRIPTION OF REVISION

QUAN.	DR.	DES.	BY	CHK.	DATE

PLANS PREPARED BY:

HOLT CONSULTING COMPANY, LLC
2801 DEVUBE STREET, SUITE 201
COLUMBIA, SC 29205
(803) 771-4658



SOUTH CAROLINA
DEPARTMENT OF TRANSPORTATION

**BRIDGE TYPICAL SECTION
S-80 OVER REEDY RIVER**

CONCEPTUAL
PLANS - NOT FOR
CONSTRUCTION

COUNTY: GREENVILLE

ROUTE: S-80