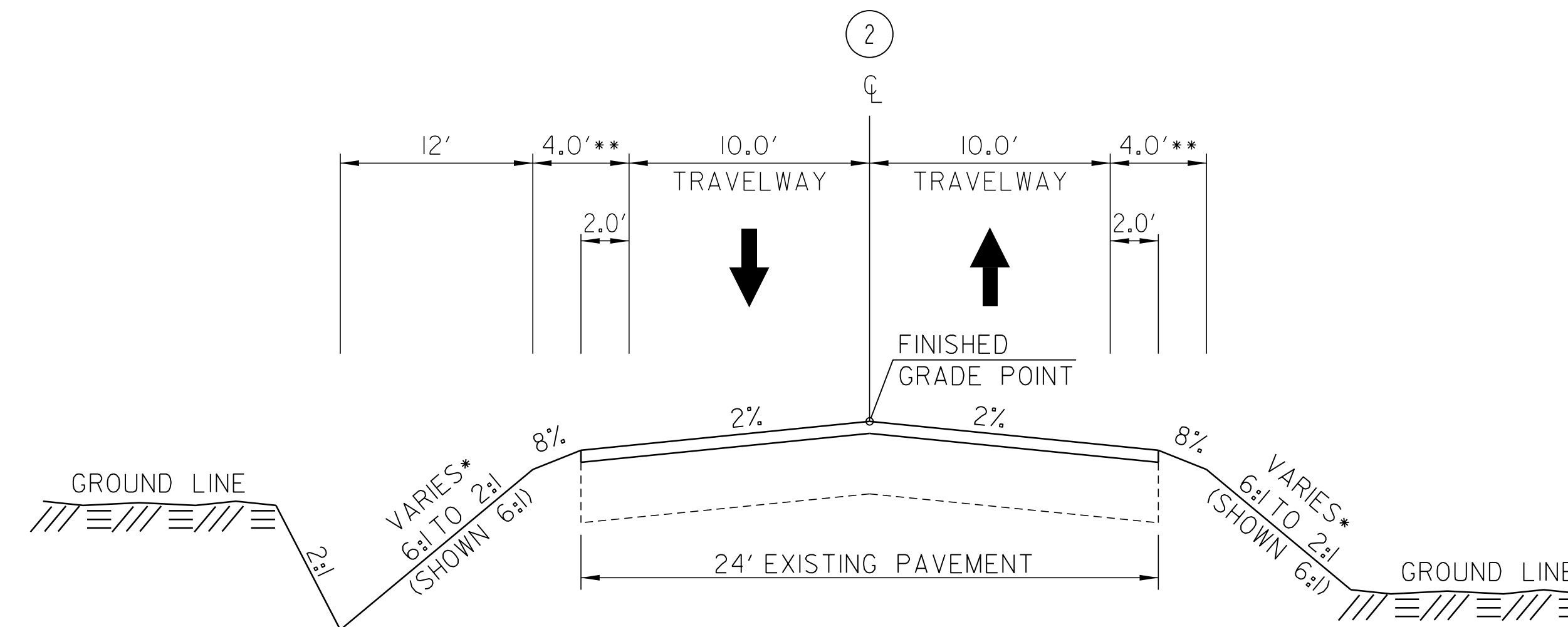


USE THIS SECTION ON:
S-3I OVER TODD SWAMP

NOT TO SCALE



USE THIS SECTION ON:
S-I54 OVER TIDAL SWASH

NOT TO SCALE

NOTES:

- * FILL AND CUT SLOPES VARY, SEE CROSS SECTIONS.
- ** ADD 3.75' WHERE GUARDRAIL IS ERECTED.

ROUTE	DESIGN SPEED	ROAD CLASSIFICATION
S-3I	60MPH	RURAL - MAJOR COLLECTOR
S-I54	35MPH	URBAN - MAJOR COLLECTOR

PAVEMENT DESIGN
TO BE DETERMINED